

Order protection through delayed messaging

Aldrich, Eric M.; Friedman, Daniel

Veröffentlichungsversion / Published Version

Arbeitspapier / working paper

Zur Verfügung gestellt in Kooperation mit / provided in cooperation with:

Wissenschaftszentrum Berlin für Sozialforschung (WZB)

Empfohlene Zitierung / Suggested Citation:

Aldrich, E. M., & Friedman, D. (2017). *Order protection through delayed messaging*. (Discussion Papers / Wissenschaftszentrum Berlin für Sozialforschung, Forschungsschwerpunkt Markt und Entscheidung, Forschungsprofessur Market Design: Theory and Pragmatics, SP II 2017-502). Berlin: Wissenschaftszentrum Berlin für Sozialforschung gGmbH. <https://hdl.handle.net/10419/173265>

Nutzungsbedingungen:

Dieser Text wird unter einer Deposit-Lizenz (Keine Weiterverbreitung - keine Bearbeitung) zur Verfügung gestellt. Gewährt wird ein nicht exklusives, nicht übertragbares, persönliches und beschränktes Recht auf Nutzung dieses Dokuments. Dieses Dokument ist ausschließlich für den persönlichen, nicht-kommerziellen Gebrauch bestimmt. Auf sämtlichen Kopien dieses Dokuments müssen alle Urheberrechtshinweise und sonstigen Hinweise auf gesetzlichen Schutz beibehalten werden. Sie dürfen dieses Dokument nicht in irgendeiner Weise abändern, noch dürfen Sie dieses Dokument für öffentliche oder kommerzielle Zwecke vervielfältigen, öffentlich ausstellen, aufführen, vertreiben oder anderweitig nutzen.

Mit der Verwendung dieses Dokuments erkennen Sie die Nutzungsbedingungen an.

Terms of use:

This document is made available under Deposit Licence (No Redistribution - no modifications). We grant a non-exclusive, non-transferable, individual and limited right to using this document. This document is solely intended for your personal, non-commercial use. All of the copies of this documents must retain all copyright information and other information regarding legal protection. You are not allowed to alter this document in any way, to copy it for public or commercial purposes, to exhibit the document in public, to perform, distribute or otherwise use the document in public.

By using this particular document, you accept the above-stated conditions of use.

Aldrich, Eric M.; Friedman, Daniel

Working Paper

Order protection through delayed messaging

WZB Discussion Paper, No. SP II 2017-502

Provided in Cooperation with:
WZB Berlin Social Science Center

Suggested Citation: Aldrich, Eric M.; Friedman, Daniel (2017) : Order protection through delayed messaging, WZB Discussion Paper, No. SP II 2017-502, Wissenschaftszentrum Berlin für Sozialforschung (WZB), Berlin

This Version is available at:
<http://hdl.handle.net/10419/173265>

Standard-Nutzungsbedingungen:

Die Dokumente auf EconStor dürfen zu eigenen wissenschaftlichen Zwecken und zum Privatgebrauch gespeichert und kopiert werden.

Sie dürfen die Dokumente nicht für öffentliche oder kommerzielle Zwecke vervielfältigen, öffentlich ausstellen, öffentlich zugänglich machen, vertreiben oder anderweitig nutzen.

Sofern die Verfasser die Dokumente unter Open-Content-Lizenzen (insbesondere CC-Lizenzen) zur Verfügung gestellt haben sollten, gelten abweichend von diesen Nutzungsbedingungen die in der dort genannten Lizenz gewährten Nutzungsrechte.

Terms of use:

Documents in EconStor may be saved and copied for your personal and scholarly purposes.

You are not to copy documents for public or commercial purposes, to exhibit the documents publicly, to make them publicly available on the internet, or to distribute or otherwise use the documents in public.

If the documents have been made available under an Open Content Licence (especially Creative Commons Licences), you may exercise further usage rights as specified in the indicated licence.

WZB

Wissenschaftszentrum Berlin
für Sozialforschung



Eric M. Aldrich
Daniel Friedman

Order protection through delayed messaging

Discussion Paper

SP II 2017–502

December 2017

Research Area
Markets and Choice

Research Professorship
Market Design: Theory and Pragmatics

Wissenschaftszentrum Berlin für Sozialforschung gGmbH
Reichpietschufer 50
10785 Berlin
Germany
www.wzb.eu

Copyright remains with the authors.

Discussion papers of the WZB serve to disseminate the research results of work in progress prior to publication to encourage the exchange of ideas and academic debate. Inclusion of a paper in the discussion paper series does not constitute publication and should not limit publication in any other venue. The discussion papers published by the WZB represent the views of the respective author(s) and not of the institute as a whole.

Affiliation of the authors:

Eric Aldrich, University of California, Santa Cruz (ealdrich@ucsc.edu)

Daniel Friedman, WZB Berlin Social Science Center, and University of California, Santa Cruz (dan@ucsc.edu)

Abstract

Order protection through delayed messaging*

Several financial exchanges have recently introduced messaging delays (e.g., a 350 microsecond delay at IEX and NYSE American) intended to protect ordinary investors from high-frequency traders who exploit stale orders. We propose an equilibrium model of this exchange design as a modification of the standard continuous double auction market format. The model predicts that a messaging delay will generally improve price efficiency and lower transactions cost but will increase queuing costs. Some of the predictions are testable in the field or in a laboratory environment.

Keywords: Market design, high-frequency trading, continuous double auction, IEX, lab experiments.

JEL codes: C91, D44, D47, D53, G12, G14

* We are indebted to the Center for Analytical Finance (CAFIN) at UCSC for seed funding of the Experimental High-Frequency Trading project of which this paper is a part, and to Dan Aisen for access to data and for insight into the IEX system. We benefited from helpful comments from Peter Cramton, Natalia Lazzati, Kristian Lopez Vargas, John Musacchio, Axel Ockenfels, and Nirvikar Singh. The conclusions and perspectives in this paper are the authors'; none of those individuals or organizations should be held responsible for remaining idiosyncrasies and shortcomings.

1 Introduction

Financial firms have invested many billions of dollars to speed up order placement and execution. For such high-frequency trade (HFT) firms, communication lags in major financial markets have shrunk several orders of magnitude, from seconds to milliseconds in recent decades, to tens of microseconds in recent years.

With HFT now constituting a majority of market transaction volume (SEC, 2014), financial exchanges face competing incentives to accommodate both HFT firms and traditional slower clients (O’Hara, 2015), many of whom feel that HFT puts them at a disadvantage. Some reform proposals intended to protect ordinary traders (e.g., by Budish et al. (2015), Du and Zhu (2017), and Kyle and Lee (2017)) would fundamentally change the market format by batching orders or by making allocations continuous functions of time. Several exchanges have already responded with incremental changes to allocation rules, notably the Chicago Stock Exchange (CHX), Electronic Broking Services (EBS), Investors Exchange (IEX), NYSE American, Thomson Reuters and TSX Alpha, all of which have imposed a deterministic or randomized messaging delay – a uniform waiting time applied to all inbound and outbound messages processed by an exchange.¹

Does HFT indeed harm ordinary traders in the traditional continuous market format? Does a messaging delay help ordinary traders and does it have unintended consequences? The present paper contributes to the growing theoretical literature that addresses such questions. We develop an equilibrium model that spotlights the consequences of imposing a uniform delay on new orders when previously hidden, liquidity-providing orders (“pegged” orders) are automatically repriced without delay. That is, our model captures the essential elements of HFT-inspired reforms at IEX and NYSE American, and is closely related to those of CHX and TSX Alpha (see Appendix C.2).

¹Such changes have caused heated policy debates, surrounding acceptable exchange design and the definition of time itself. For example, the September 2015 application by IEX to the SEC to become a national securities exchange was followed by divisive commentary regarding the appropriateness of a public exchange that deliberately delays orders. Prior to the subsequent approval of IEX’s application in June 2016, the SEC made a very important rule change to define “immediacy” as 1 millisecond. This change has enormous impact on Regulation National Market System (Reg NMS) Rule 611, known as the “Order Protection Rule”, which requires exchanges to immediately pass orders to markets in the national system with better prices.

Our work is similar in spirit to Budish et al. (2015), who focus on the equilibrium balance between sniping and market making. Their model features a continuous range of prices and highlights differences between frequent batch auctions and the traditional continuous auction format. Our focus on pegged orders demands a different model, in which prices lie on an exogenous grid. Menkveld and Zoican (2017) address the impact of an exogenous increase in execution speed, and show that it has offsetting effects on the equilibrium spread. Again, our model differs by imposing an exogenous price grid and also allows slow traders to effectively acquire speed by using pegged orders.

Our paper is also informed by the empirical literature on HFT. Such papers often distinguish between aggressive (liquidity removing) and passive (liquidity adding) HFT strategies. Passive HFT is generally associated with improved market performance; see e.g. Jovanovic and Menkveld (2015), Hagströmer et al. (2014), Menkveld and Zoican (2017), Malinova et al. (2014), and Brogaard et al. (2017). Although aggressive HFT is generally associated with informed price impact, especially over short horizons, it can increase adverse selection costs for other traders, increase short-term volatility, and raise trading costs for institutional and retail traders, as shown by Brogaard et al. (2014), Zhang and Riordan (2011), and Menkveld and Zoican (2017). The estimated net benefits of aggressive and passive HFT are often positive overall, but usually with the acknowledgment of non-negligible costs, e.g., Brogaard and Garriott (2017), Hasbrouck and Saar (2013), Bershova and Rakhlin (2012), and Breckenfelder (2013). The findings in Hirschey (2017) suggest that HFT behavior provides a net improvement to liquidity, but increases costs to non-HFT traders.

Popular accounts of financial market format reforms involving a messaging delay (e.g., Lewis, 2015; Pisani, 2016) have focused on the 350 microsecond “speed bump” caused by routing communications through a 38-mile cable coiled in a “shoe box”. On its own, a speed bump of this form offers no protection to slow traders, as it does not change the order in which fast and slow messages are received at an exchange. However, such a delay allows the exchange to have a timely view of the National Best Bid and Offer (NBBO) – an aggregation of competitive price quotes across all public equities exchanges – and to automatically reprice pegged orders before predatory orders arrive at the matching engine. As a result, slow traders using pegged orders are protected from fast traders who attempt to “snipe” stale orders when new information enters the market.

Pegged orders are common on all national securities exchanges in the United States. They are commonly “hidden” (not visible in the limit order book) and exchanges typically charge a fee for placing and/or executing such orders. To encourage the submission of visible (“lit”) orders, exchanges give priority to lit orders at any given price, even those that arrive after hidden orders. Thus, pegged orders face the implicit cost of always being queued behind visible orders. This cost is non-trivial due to the fixed price grid (mandated by the Securities and Exchange Commission) used at all equities exchanges; it is not possible to “just barely” beat another trader on price, so position in the queue at a given price typically matters. Indeed, we shall see that microsecond speed advantages are valuable only because ties on price are so common on a discrete price grid.

Our model is intended to capture the trade-offs between pegged orders and traditional order types (market and limit orders) emphasized in the prior microstructure literature, and to assess the consequences of an exchange-imposed delay to protect pegged orders. The model allows for the simultaneous expression of both passive and aggressive proprietary trading strategies. Proprietary liquidity providers (referred to as makers) and fast liquidity consumers (referred to as snipers) are in some respects similar to agents in the “sniping” models of Budish et al. (2015), Baldauf and Mollner (2016) and Menkveld and Zoican (2017). In addition to proprietary agents, we also model a population of noise traders (“investors”) that endogenously choose whether to enter the marketplace with pegged orders (which transact at better prices but may incur queuing delay) or with market orders (which obtain immediacy but may transact at less favorable prices). The model is general enough to nest both the traditional continuous market and the uniform-delay market as special cases.

The model equilibrium is largely determined by the endogenous steady-state distribution of the pegged order queue, which we derive in closed form. In choosing between market orders and pegged orders, investors trade off immediacy with trading costs (which can also be interpreted as price deterioration). Since the distribution of pegged orders is directly related to immediacy and queuing costs, it is crucial in determining the endogenous fraction of investors that place pegged orders, both when protection is and is not offered via messaging delay. In certain instances, the distribution of pegs, and hence the equilibrium, is especially sensitive to model parameters related to investor impatience and the relative fraction of price movements (sniping opportunities) to investor arrivals.

The model thus yields a wealth of predictions that can be tested against laboratory or field data. For example, in equilibrium a messaging delay that protects pegged orders will, under a wide range of exogenous parameter values, result in (a) a substantially higher proportion of pegged orders, (b) a lower sniper/maker ratio, (c) transactions prices that deviate less from fundamental value, (d) lower transactions costs, but (e) higher queuing cost. The model also identifies parametric conditions under which some of these effects are diminished or even reversed.

To our knowledge, ours is the first model of financial markets that deals with pegged orders and realistic price grids. It also introduces some minor novelties in defining performance metrics and in mathematical techniques for financial applications. Most importantly, the model offers insight into major recent financial market innovations, and testable predictions regarding the impact of high-frequency trade and exchange-imposed messaging delay.

Our analysis begins in Section 2 by describing order types, the traditional continuous double auction (CDA) format, and the variation of CDA that delays messages to and from an exchange. It also presents summary data from IEX, the first exchange to provide pegged order protection through delayed messaging. Section 3 lists our simplifying assumptions and obtains closed-form equilibrium expressions for the usage rates of market orders vs. pegged orders and the prevalence of trader types. Section 4 obtains parallel results for CDA markets while also checking robustness by relaxing some of the more restrictive assumptions. Section 5 summarizes the impact of removing order protection and presents comparative statics, and Section 6 provides a concluding discussion, including some empirically testable implications. Proofs, additional technical details, and additional institutional details can be found respectively in Appendices A, B and C.

2 Institutional Background

A financial market format specifies how orders are processed into transactions. In this section we provide a general description of continuous double auctions (CDA) and a more specific description of a format that protects pegged orders via a uniform delay on processing new orders, first implemented by the Investors Exchange (IEX). We then present a summary of data from IEX and use that data to motivate elements of the model introduced in Section 3.

2.1 Continuous Double Auction format

Most modern financial markets use variants of the *continuous double auction* (CDA) format, also known as the continuous limit order book (CLOB). A *limit order* is a message to the exchange comprised of four basic elements: (a) direction: buy (sometimes called a bid) or sell (sometimes called an ask or offer), (b) limit quantity (maximum number of units to buy or sell), (c) limit price (highest acceptable price for a bid, lowest acceptable price for an offer), and (d) time in force (indicating when the order should be canceled). The CDA limit order book collects and sorts bids by (1) price and (2) time received (at each price), and likewise collects and sorts offers. The highest bid price and the lowest offer price are referred to, respectively, as the *best bid* and *best offer*, and the difference between them is called the *spread*.

The CDA processes each limit order as it arrives. If the limit price locks (equals) or crosses (is beyond) the best contra-side price — e.g., if a new bid arrives with limit price equal to or higher than the current best offer — then the limit order immediately transacts (“executes” or “fills”) at that best contra-side price, and the transacted quantity is removed from the order book. On the other hand, if the price is no better than the current best same-side price, then the new order is added to the order book, behind other orders at the same price.

The SEC mandates that prices displayed in the order book are discrete, e.g., in pennies per share but not fractions of a penny. In contrast, time remains essentially continuous. We will see that the disjunction between discrete price and continuous time creates interesting complications for the CDA format.

At present, there are 12 SEC-approved “national securities exchanges” in the United States that trade U.S. equities instruments. Under Regulation National Market System (Reg NMS) these exchanges are required to report transactions and quotations to a centralized processor, known as the Securities Information Processor (SIP). The SIP monitors all bids and offers at all 12 exchanges, and constantly updates the official National Best Bid and Offer (NBBO), consisting of the National Best Bid (NBB) and National Best Offer (NBO). However, since the speed of light is finite and the 12 exchanges have different physical locations, there is no “true” NBBO — at best there is an NBBO from the perspective of

the SIP. For this reason, unlike the order books internal to an exchange, which never lock or cross, it is possible for the NBB or NBO to temporarily lock or cross with the best bid or offer at a specific exchange. These instances are fleeting, as Reg NMS requires other exchanges with less aggressive quotations to pass orders on to those with better bids or offers.

Most CDA exchanges recognize a variety of order types beyond simple limit orders. *Market orders* are the most common variation, specifying a very high bid or very low offer price and essentially zero time in force. Most exchanges also recognize “hidden” orders which are not publicly displayed in the order book and which are given lower priority than ordinary “lit” (displayed) orders. The lexicographic priority system then is: price, display, time. For example, all hidden bid orders are prioritized after the lit bids at the same price; among themselves they are prioritized on a first-come, first-served basis, even if there are different types of hidden orders.

An important type of hidden order is a *pegged* limit order. An NBB peg is a limit order that enters the book at the current NBB and is automatically re-priced by the exchange when the NBB changes. An NBO peg is treated symmetrically at the NBO. The SEC also permits exchanges to offer hidden (but not lit) *midpoint pegs*: bids or offers that track the midpoint (and hence at half-penny prices) of NBB and NBO.

2.2 The IEX format

The IEX market format (also implemented by NYSE American) is a CDA variant that delays all inbound and outbound messages to its messaging server by 350 microseconds. This delay is long enough to allow the system a fresh view of the NBBO and to reprice pegged orders ahead of new messages that are coincident with changes in the NBBO. As a result, pegged orders are protected from fast traders who would profit from transacting at stale prices when the NBBO changes.

Besides traditional (lit) limit and market orders, IEX (and NYSE American) offers the following types of (hidden) pegged orders:

- Midpoint peg. Limit orders pegged to the NBBO midpoint. By virtue of their more aggressive price, they have priority over traditional limit orders.

- Primary peg. Limit orders that are booked one price increment (typically \$0.01) away from NBB or NBO, but which are promoted to transact at NBB or NBO if sufficient trading interest arrives at those prices.
- Discretionary peg. Limit orders which first enter the (non-displayed) order book at the midpoint but, if not executed immediately, rest at either the NBB or NBO; see Appendix C for more details.

Unlike other US exchanges, IEX charges fees only for midpoint transactions and for nothing else.

2.3 Some Data

	Other Nonroutable				Primary Peg			
	Hidden		Lit		Hidden		Lit	
	BBO	Mid	BBO	Mid	BBO	Mid	BBO	Mid
Agency Remover	0.0349	0.0069	0.0395	0	0	0	0	0
Prop Remover	0.0474	0.0072	0.0255	0	0	0	0	0
Agency Adder	0.0078	0.0100	0.0691	0	0.0264	0	0	0
Prop Adder	0.0080	0.0021	0.0473	0	0.0219	0	0	0
	Midpoint Peg				Discretionary Peg			
	Hidden		Lit		Hidden		Lit	
	BBO	Mid	BBO	Mid	BBO	Mid	BBO	Mid
Agency Remover	0	0.1008	0	0	0	0.1004	0	0
Prop Remover	0	0.0719	0	0	0	0.0233	0	0
Agency Adder	0.0063	0.0716	0	0	0.0391	0.1968	0	0
Prop Adder	0.0002	0.0212	0	0	0.0009	0.0136	0	0

Table 1: IEX volume shares for December 2016 by order type and transaction price. Excludes routable orders and transactions in locked or crossed market conditions.

Table 1 reports transaction volume statistics at IEX during the month of December 2016. The data exclude periods when markets were locked or crossed with the NBBO (3.4%

of volume) and exclude transactions involving orders routable to other exchanges (12.3% of volume; see Appendix C for a discussion of routable orders). The Table entries are normalized to sum to 100%, and so they are shares of the remaining 84.3% of all transactions.

IEX classifies traders into two broad types: (1) agencies (brokers), who provide services to and receive fees from external clients and who compete to offer rapid order execution at favorable prices, and (2) proprietary firms, who trade on their own account, maintaining net positions close to zero, and who earn revenue by buying at prices a bit lower on average than selling prices (either by adding liquidity at a spread or removing liquidity when stale quotes persist in the order book). Firms that do both are classified as agencies.

Table 1 shows that Agency firms represent over 70% of volume at IEX; volume at other exchanges is typically more evenly split between agencies and proprietary traders. Agency volume has three main components:

1. Adding lit orders at BBO: 7.7% of transaction volume. Our model in the next section will attribute this to the proprietary arm of integrated agency firms.
2. Removing orders at BBO: 7.4% of volume. Our model will attribute this to impatient investor clients.
3. Midpoint and discretionary peg orders transacting at midpoint: 47.0% of volume. Our model will attribute this to less impatient clients.

Following is a similar breakdown for proprietary firms; again see Appendix C for more details.

1. Passive (adding) orders at BBO: 5.5% of volume. Our model attributes this to market making by proprietary firms.
2. Aggressive (removing) orders at BBO: 7.3% of volume. The model attributes this to proprietary “snipers,” who exploit unprotected stale limit orders when the NBBO changes.
3. Midpoint and discretionary peg orders transacting at midpoint: 13.0% of volume. For simplicity, and since they comprise only 25% of all midpoint and discretionary orders, our model will group this order flow with midpoint orders transmitted by agencies on behalf of their clients.

3 Baseline Model

Our baseline model is of a continuous double auction that protects midpoint pegs. The model highlights tradeoffs between order types under simplifying assumptions on the grid of asset prices and on exogenous variables specifying investor arrival and changes in the asset's fundamental value. This baseline model also makes stark assumptions regarding who buys speed and which orders are protected from fast traders; the extended model in Section 4 will eliminate protection and will examine speed purchase decisions.

3.1 Assumptions

- A1.** The market consists of a single asset trading at a single exchange, one indivisible unit at a time.
- A2.** Prices lie on a discrete, uniform grid $\mathcal{P} = 1, 2, \dots, \hat{P}$. A price unit, i.e., the grid step size, represents half of the minimum price increment (e.g. a half penny per share).
- A3.** The fundamental value of the asset, V , follows a marked Poisson process on \mathcal{P} . The fundamental value changes to $V' \in \{V - 2, V + 2\}$ with equal innovation rate $\nu > 0$. That is, the total innovation rate is 2ν , with one-sided rate ν of a two-increment (e.g., one penny) upward jump and one-sided rate ν of a two-increment downward jump.
- A4.** An exogenous flow of impatient investors with unit demands arrive independently at Poisson rate $\rho > 0$ on each side of the market.
 - a. Investors have gross surplus $\varphi > 1$ per unit of the asset.
 - b. An investor may have the broker transmit a market order. If there is a contra-side midpoint order resting in the (hidden) order book, then the market order executes immediately at midpoint and incurs execution fee $d \in (0, 1)$. Otherwise, the market order executes immediately at the BBO and incurs trading cost of 1 (e.g. a half penny per share).
 - c. Alternatively, an investor may have the broker transmit a midpoint peg order. If there is a contra-side midpoint order, then the transmitted order executes immediately at midpoint and incurs execution fee $d \in (0, 1)$. Otherwise the transmitted

order goes to the end of the same-side (hidden) order queue. If the transmitted order is not executed immediately, its net surplus is discounted at rate $\delta > 0$.

- A5.** The cost of speed, $c > 0$, and time lags in responding to innovations in V are such that
- a. Traders placing orders at BBO do not purchase speed and, when V jumps, are susceptible to sniping by other proprietary traders who do purchase speed.
 - b. Snipers can reverse transactions immediately at V' .
 - c. Pegged orders track V with so short a lag that they are protected from sniping.

Assumptions A1 and A2 are straightforward simplifications to sharpen the analysis. A3 and A4 are unrealistic² but together they capture the idea that the fundamental value V equilibrates supply and demand even while experiencing exogenous shifts. We think of V as representing the NBBO midpoint, which is observed on other exchanges, but taking it as exogenous sharpens the comparison of market formats on a single exchange.

Assumptions A4a and A4c are intended to capture investors' impatience in a simple way and A4b implicitly assumes a deep order book at the BBO. Assumption A4c conflates discretionary pegs with midpoint pegs and ignores primary pegs; see Appendix C for a justification of this simplification. Assumption A5 is intended to streamline the first part of the analysis; later sections will analyze timing issues in more detail.

3.2 Action Space and State Space

The model uses a streamlined set of just three order types:

- r : proprietary traders add single unit *regular* limit orders at the best bid ($V - 1$) and best offer ($V + 1$).
- p : brokers add single unit midpoint *peg* limit orders at price V . These orders are hidden, and are subject to a transaction fee d upon execution. For example, at IEX $d = \$0.0009$,

²Indeed, at extreme prices ($V = 1, 2$ and $\hat{P} - 1, \hat{P}$), some jumps are infeasible so A3 must be modified. As a practical matter, the SEC permits the grid to be redefined in such extreme cases. Here, to keep the focus on matters of greater interest, we assume that such modifications are negligible because we are operating far away from the extremes.

less than one half spread (typically \$0.005). Since p orders execute against each other, there can be resting p orders on only one side of the market at any given time.

m : brokers' market orders remove liquidity at the midpoint if it is occupied by contra-side orders, in which case they also incur the fee d . When there are no contra-side midpoint orders, an m order removes an r order at the best bid or best offer.

Since we assume that the order book is deep at BBO, and since there can be a positive number of midpoint orders on only one side of the market, the state of the market is described by the level of the fundamental value, $V \in \mathcal{P}$, and the *order imbalance* $k \in \mathbb{Z}$ at the midpoint price. By convention, $k < 0$ means that there are precisely $-k > 0$ midpoint peg buy orders (hidden) in the order book, $k > 0$ indicates k midpoint peg sell orders (hidden) in the order book, and $k = 0$ indicates an empty queue at the midpoint price V . See Figure 1.

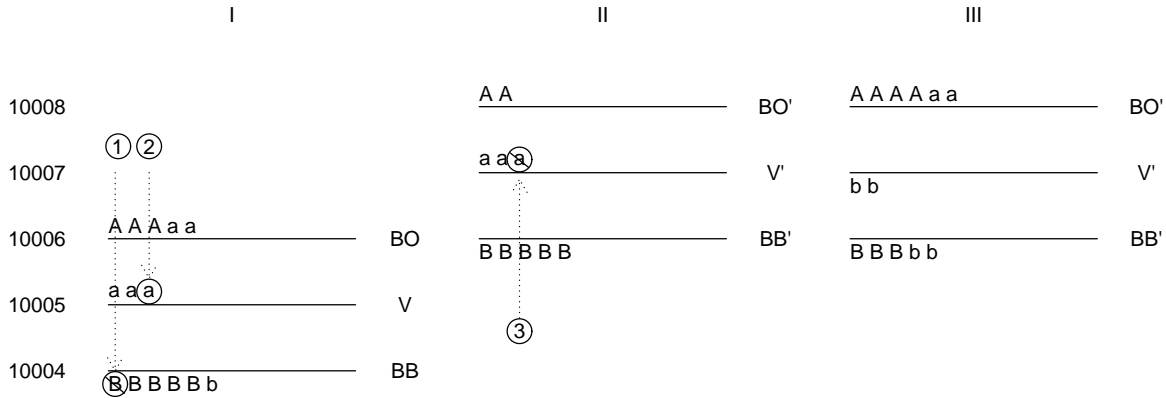


Figure 1: Example states in IEX market. Uppercase (lowercase) denotes lit (hidden) orders to buy (B/b) and to sell (A/a) at each price; those to the left have higher priority at that price. Panel I: initial state is $k = 2$ and $V = 10005$ half-pennies (i.e., $V = \$50.025$ per share); event (1) is a market sell order which ‘crosses the spread’ to transact at BB 10004 = \$50.02; event (2) is a midpoint offer which rests at V implying a transition to $k = 3$. Panel II: V has jumped to 10007 = \$50.035; event (3) is a market buy order or midpoint bid which transacts at V and triggers transition $k = 3 \rightarrow 2$. Panel III: V remains at 10007 but an excess of bids relative to offers has driven k to -2.

New investor arrivals can trigger transitions in k . Let ω denote the fraction of arrivals that brokers transmit as midpoint peg orders, with the remaining $1 - \omega$ fraction transmitted

as market orders. Given the symmetry in Assumption A4, a new arrival generates a midpoint peg buy or sell order with probability $\omega/2$ each, or a market buy or sell order with probability $(1 - \omega)/2$ each. A new pegged sell (buy) order always generates a transition $k \rightarrow k + 1$ ($k \rightarrow k - 1$). A new market sell (buy) order generates a transition $k \rightarrow k + 1$ when $k < 0$ ($k \rightarrow k - 1$ when $k > 0$) and otherwise executes at BBO and generates no transition.

The following proposition, proved in Appendix A, characterizes the stationary distribution of k .

Proposition 3.1. *Let $\omega \in (0, 1)$ be the probability that an investor arrival on either side of the market results in a midpoint peg order. Given Assumptions A1-A5, there is a unique steady state distribution $q : \mathbb{Z} \rightarrow (0, \infty)$ of the order imbalance, with*

$$q_k = \left(\frac{1 - \omega}{1 + \omega} \right) \omega^{|k|}, \quad k \in \mathbb{Z}. \quad (3.1)$$

Equation (3.1) tells us that the steady state distribution is symmetric around a sharp peak at zero, and drops off at exponential rate as $|k|$ increases. The distribution has a single parameter, the fraction ω of investor orders that are transmitted as midpoint peg orders rather than as market orders. That fraction is determined endogenously in equilibrium, as shown below.

3.3 Investor Surplus

Following assumption A4, investors choose between midpoint peg orders and market orders.

Peg. A midpoint peg order generates surplus φ less the execution charge d . These orders transact immediately with contra-side midpoint peg orders if any are present, and otherwise are placed at the back of the midpoint queue (e.g., to position $k + 1$ when the state is $k \geq 0$), and thus incur queuing costs expressed in terms of the given discount rate δ . The relevant discount factor is $\beta = \exp\left(-\frac{\delta}{\rho}\right) \leq 1$ when contra-side orders arrive at rate $\rho > 0$. Thus, by A4, the conditional expected net surplus is $(\varphi - d)\beta^{k+1}$ for a pegged sell order when $k \geq 0$.

Using steady state probabilities (3.1) for order imbalance k , the unconditional expected net surplus for a midpoint peg sell order is

$$\pi_p = (\varphi - d) \left[\sum_{k=-\infty}^{-1} q_k + \sum_{k=0}^{\infty} q_k \beta^{k+1} \right]$$

$$\begin{aligned}
&= (\varphi - d) \left[\frac{1 - \omega}{1 + \omega} \right] \left[\frac{\omega}{1 - \omega} + \frac{\beta}{1 - \beta\omega} \right] \\
&= \left(\frac{\varphi - d}{1 + \omega} \right) \left[\omega + \frac{\beta(1 - \omega)}{1 - \beta\omega} \right]
\end{aligned} \tag{3.2}$$

The model's symmetry ensures that (3.2) also applies to pegged buy orders.

Market order. Like a pegged order, with probability $\sum_{k=-\infty}^{-1} q_k$ a market order will execute immediately against a contra-side midpoint peg and earn $\varphi - d$. With probability $\sum_{k=0}^{\infty} q_k$, there will be no contra-side midpoint orders and, unlike a pegged order, a market order will then execute immediately against an r order at BBO. In that case, since the price is 1 half-spread away from V , it earns $\varphi - 1$. Thus the expected net surplus for a market order (either buy or sell) is

$$\pi_m = (\varphi - d) \sum_{k=-\infty}^{-1} q_k + (\varphi - 1) \sum_{k=0}^{\infty} q_k = \left(\frac{\varphi - d}{1 + \omega} \right) \omega + \frac{\varphi - 1}{1 + \omega}. \tag{3.3}$$

3.4 Proprietary Trader Profits

Proprietary traders divide themselves into two groups: market makers and snipers.

Snipers trade off the flow cost, c , of buying speed against profits from sniping stale r orders following a jump in the fundamental value V . The number of potential targets, N_r , is the equilibrium number of regular limit orders at best bid and best offer. Thus, when an opportunity arises, each of N_s snipers uses fast market orders to obtain on average $\frac{N_r}{N_s}$ successful snipes.³ By assumptions A3 and A5, each successful snipe of a resting r order involves buying (or selling) a single share at $V + 1$ (or $V - 1$) and reversing the transaction at $V' = V + 2$ (or $V' = V - 2$), yielding a profit of 1 half-spread. Since opportunities arrive at both sides of the market at rate ν , the expected flow profit for a sniper is

$$\pi_s = 2\nu \frac{N_r}{N_s} - c. \tag{3.4}$$

³Assumption A1 can be construed as limiting each sniper to at most one snipe per V jump. Under that interpretation (which we do not adopt), the factor $\frac{N_r}{N_s}$ in equation (3.4) is replaced by $\min\{1, \frac{N_r}{N_s}\}$, and (3.5) requires a similar modification. In that case, when $2\nu < c$, snipers necessarily earn negative profit, so in equilibrium there are $N_s = 0$ snipers and $N_r = +\infty$ market makers. However, in the less expensive sniping case $2\nu \geq c$, the formulas below are unaffected by the alternative interpretation of A1.

Market makers place r orders at the BBO, trading off the single half-spread gain of transacting with a market order against a possible half-spread loss to a sniper. Market orders arrive at each side of the market at rate $(1 - \omega)\rho$ and jumps to each side occur at rate ν so, by maintaining both a bid and ask at BBO, a market maker obtains expected flow profit

$$\pi_r = \frac{2(1 - \omega)\rho}{N_r} - 2\nu. \quad (3.5)$$

3.5 Equilibrium

Definition 3.1. *Given an exogenous flow cost of speed $c > 0$, midpoint transaction fee $d \geq 0$, investor gross surplus $\varphi \geq 1$, discount factor $\beta = \exp\left(-\frac{\delta}{\rho}\right) \in (0, 1)$, and arrival rates $\rho, \nu > 0$ for investors and fundamental value innovations, the vector (ω^*, N_r^*, N_s^*) constitutes a market equilibrium if*

1. *at $\omega^* \in (0, 1)$ (resp. $\omega^* = 0$), a midpoint peg order has (resp. no more than) the same expected net surplus as a market order, and*
2. *with $N_s^* \geq 0$ snipers and $N_r^* \geq 0$ market makers, proprietary traders earn zero expected profit from either activity.*

The idea behind the first equilibrium condition is that investors and brokers will increase the fraction $\omega \in (0, 1)$ of pegged orders whenever the expected surplus differential $\pi_p - \pi_m$ is positive, and decrease ω when the differential is negative. Hence expected (net discounted) surplus should be equal at an interior steady state, while at $\omega^* = 0$ we should have $\pi_p \leq \pi_m$. Later we will see that $\omega^* = 1$ is not consistent with impatient investors. The second equilibrium condition arises from the reasonable assumption that there are no substantial barriers to entry or exit for either of the two proprietary activities.

Under current assumptions, equilibrium takes a simple form.

Proposition 3.2. *Under assumptions A1 - A5 and parameter restrictions $\varphi \geq 1 > d \geq 0$, $\beta = \exp\left(-\frac{\delta}{\rho}\right) \in (0, 1)$, and $c, \rho, \nu > 0$, there is a unique market equilibrium (ω^*, N_r^*, N_s^*) . The equilibrium fraction of brokers/investors choosing midpoint pegs vs. market orders is*

$$\omega^* = \max \left\{ 0, \frac{\varphi - d - \beta^{-1}(\varphi - 1)}{1 - d} \right\}, \quad (3.6)$$

and the equilibrium numbers of proprietary traders choosing to act as market makers and snipers are, respectively,

$$N_r^* = \frac{\rho}{\nu}(1 - \omega^*) \quad (3.7)$$

$$N_s^* = \frac{2\rho}{c}(1 - \omega^*). \quad (3.8)$$

Proof. Applying the first market equilibrium condition we obtain equation (3.6) as follows:

$$\begin{aligned} \pi_p = \pi_m &\iff \left(\frac{\varphi - d}{1 + \omega}\right) \left[\frac{\beta(1 - \omega)}{1 - \beta\omega}\right] = \frac{\varphi - 1}{1 + \omega} \\ &\iff (\varphi - d)\beta(1 - \omega) = (\varphi - 1)(1 - \beta\omega) \\ &\iff \omega = \frac{\varphi - d - \beta^{-1}(\varphi - 1)}{1 - d}. \end{aligned} \quad (3.9)$$

If the last expression in (3.9) is negative, then it is straightforward to show that $\pi_p(0) \leq \pi_m(0)$ and so $\omega^* = 0$. Note that $\beta < 1$ and the other parameter restrictions ensure that $\omega^* < 1$ in (3.9).

To obtain Equations (3.7) and (3.8), apply the second market equilibrium condition $\pi_r = \pi_s = 0$ to Equations (3.5) and (3.4) and solve for N_r and N_s . \square

4 Extension: Unprotected Midpoint Pegs: $\xi = 1$

The equilibrium in Section 3 was derived under the assumptions that pegged orders are protected from sniping, that a sufficient number of r orders always rest at the BBO, and that market makers do not purchase speed technology. We now explore what happens when some of those assumptions are relaxed.

Timing notation. Jumps in the fundamental value V are registered at the Securities Information Processor (SIP) and resting p orders automatically adjust in parallel with latency $\tau_{SIP} > 0$. Traders' messages to the exchange have default round-trip latency τ_{slow} , but at flow cost $c > 0$, traders can reduce their latency to $\tau_{fast} < \tau_{slow}$. The exchange imposes an additional uniform delay $\eta \geq 0$ so that $\tilde{\tau}_{fast} = \tau_{fast} + \eta$ and $\tilde{\tau}_{slow} = \tau_{slow} + \eta$. In traditional CDA markets, $\eta = 0$, while at IEX it is chosen so that $\tilde{\tau}_{fast} = \tau_{fast} + \eta > \tau_{SIP}$. To compress

notation, define the composite binary parameter

$$\xi = \begin{cases} 1 & \text{if } \tilde{\tau}_{fast} = \tau_{fast} + \eta \leq \tau_{SIP} \\ 0 & \text{if } \tilde{\tau}_{fast} = \tau_{fast} + \eta > \tau_{SIP}. \end{cases} \quad (4.1)$$

When $\xi = 0$, pegged orders are fully protected from sniping and jump in tandem with V before any other messages reach the exchange, as in assumption A5c. When $\xi = 1$, however, they may be profitably sniped by fast traders.

We continue to assume that liquidity adders do not have access to speed technology, so resting p orders are vulnerable when V jumps and $\xi = 1$. A successful sniper gains (and the liquidity adder loses) $|V' - V| = 2$ half-spreads on a midpoint peg, rather than the usual 1 half-spread on an order resting at BBO.

When a midpoint peg offer is queued behind k other pegged offers, it will be sniped if and only if a positive jump in V occurs before $k + 1$ buy orders arrive from brokers. Thus, the conditional probability of not being sniped is $\left(\frac{\rho}{\rho + \xi\nu}\right)^{k+1}$, with expected profit $(\varphi - d)\beta^{k+1}$, where the discount factor is still $\beta = \exp\left(-\frac{\delta}{\rho}\right)$. With complementary probability, the offer is sniped, resulting in a 2 half-spread loss discounted in the same manner. Midpoint peg bids are treated the same way as offers.

The steady state distribution of order imbalance, $k \in \mathbb{Z}$, is different than in the protected case, because sniping now induces transitions $k \rightarrow 0$. The following proposition, proved in Appendix A, generalizes the stationary distribution of k to cover the unprotected case.

Proposition 4.1. *Let $\omega \in (0, 1)$ be the probability that an investor arrival on either side of the market results in a midpoint peg order. Given assumptions A1-A5b, there is a unique steady state distribution $\tilde{q} : \mathbb{Z} \rightarrow (0, \infty)$ of the order imbalance, with*

$$\tilde{q}_k = \left(\frac{1 - \lambda}{1 + \lambda}\right) \lambda^{|k|}, \quad k \in \mathbb{Z}, \quad (4.2)$$

where

$$\lambda = \frac{1}{2} \left(1 + \frac{\xi\nu}{\rho} + \omega\right) - \frac{1}{2} \sqrt{\left(1 + \frac{\xi\nu}{\rho} + \omega\right)^2 - 4\omega} \in (0, \omega], \quad (4.3)$$

and the variable $\xi = 0$ (resp. $\xi = 1$) indicates that pegged orders are protected from sniping (resp. are not protected).

Note that that (4.3) collapses to $\lambda = \omega$ in the protected case $\xi = 0$.

We proceed as before to obtain the equilibrium value of λ , and thus ω .

Peg. Following Proposition 4.1 and the preceding discussion, one readily verifies that Equation (3.2), the expected net surplus for a midpoint peg order, generalizes to:

$$\begin{aligned} \pi_p &= (\varphi - d) \left[\sum_{k=-\infty}^{-1} \tilde{q}_k + \sum_{k=0}^{\infty} \tilde{q}_k \left(\frac{\beta\rho}{\rho + \xi\nu} \right)^{k+1} \right] - 2 \sum_{k=0}^{\infty} \tilde{q}_k \beta^{k+1} \left[1 - \left(\frac{\rho}{\rho + \xi\nu} \right)^{k+1} \right] \\ &= (\varphi - d) \left[\frac{\lambda}{1 + \lambda} + \frac{1 - \lambda}{1 + \lambda} \frac{\beta\rho}{(\rho + \xi\nu - \beta\rho\lambda)} \right] \\ &\quad - \frac{1 - \lambda}{1 + \lambda} \frac{2\beta}{(1 - \beta\lambda)} + \frac{1 - \lambda}{1 + \lambda} \frac{2\beta\rho}{(\rho + \xi\nu - \beta\rho\lambda)}. \end{aligned} \quad (4.4)$$

Market order. An investor choosing a market order will earn the same expected net surplus as in Equation (3.3) with \tilde{q}_k replacing q_k :

$$\pi_m = (\varphi - d) \sum_{k=-\infty}^{-1} \tilde{q}_k + (\varphi - 1) \sum_{k=0}^{\infty} \tilde{q}_k = (\varphi - d) \frac{\lambda}{1 + \lambda} + (\varphi - 1) \frac{1}{1 + \lambda}. \quad (4.5)$$

As in the protected case, the first terms in (4.4) and (4.5) represent execution against a contraside midpoint peg. Since they are identical, they again cancel in the equal surplus condition.

Sniper profit. Snipers now have $N_r + \xi N_p$ potential targets: the regular orders plus unprotected pegged orders. Since the profit is 2 half-spreads on the latter, Equation (3.4) becomes

$$\pi_s = 2\nu \frac{N_r + 2\xi N_p}{N_s} - c. \quad (4.6)$$

Market maker profit. The conditions for market makers are unchanged, so (3.5) still characterizes their profitability. The only difference is in the equilibrium fraction of investors choosing pegged orders, as we now show.

Proposition 4.2. *Under assumptions A1 - A5 and parameter restrictions $\varphi \geq 1 > d \geq 0$, $\beta = \exp\left(-\frac{\delta}{\rho}\right) \in (0, 1)$, and $c, \rho, \nu > 0$, there is a unique market equilibrium, with*

$$\tilde{\omega}^* = \tilde{\lambda} + \xi \left(\frac{\tilde{\lambda}}{1 - \tilde{\lambda}} \right) \frac{\nu}{\rho}, \quad (4.7a)$$

$$N_r^* = (1 - \tilde{\omega}^*) \frac{\rho}{\nu}, \text{ and} \quad (4.7b)$$

$$N_s^* = 2\nu \frac{N_r^* + 2\xi N_p^*}{c} = \frac{2\rho}{c} (1 - \omega^*) + \frac{4\xi\nu}{c} \frac{\tilde{\lambda}}{1 - \tilde{\lambda}^2}, \quad (4.7c)$$

where

$$N_p^* = \frac{\tilde{\lambda}}{1 - \tilde{\lambda}^2} \text{ and} \quad (4.8)$$

$$\tilde{\lambda} = \frac{1}{2\beta^2\rho(1-d)} \left[\beta^2\rho(\varphi-d) - \beta\xi\nu(\varphi+1) - \beta\rho(\varphi+d-2) \right. \\ \left. - \left((\beta\xi\nu(\varphi+1) + \beta\rho(\varphi+d-2) - \beta^2\rho(\varphi-d))^2 \right. \right. \\ \left. \left. - 4\beta^2\rho(1-d)(\beta\rho(\varphi-d) - \rho(\varphi-1) - \xi\nu(\varphi-1+2\beta).) \right)^{1/2} \right]_+ \quad (4.9)$$

Proof. Equating expected surplus $\pi_p = \pi_m$ for pegged and market orders in Equations (4.4) and (4.5) yields the following quadratic expression in λ :

$$\frac{\beta\rho(1-\lambda)(\varphi-d)}{\rho + \xi\nu - \beta\rho\lambda} - \frac{2\beta(1-\lambda)}{1-\beta\lambda} + \frac{2\beta\rho(1-\lambda)}{\rho + \xi\nu - \beta\rho\lambda} = \varphi - 1. \quad (4.10)$$

Solving for λ via the usual quadratic formula results in two solutions. Appendix A shows that the condition $\lambda < 1$ requires the larger (smaller) solution to satisfy

$$(1-\beta)(\varphi-1)(\nu + \rho(1+\beta)) < 0 (> 0) \quad (4.11)$$

The parameter restrictions ensure that the left-hand-side of Equation (4.11) is nonnegative, so the relevant solution involves the negative discriminant, which is written in Equation (4.9).

Equation (4.7a) follows from Corollary A.1 in Appendix A.

Equation (4.8) gives the expected number N_p^* of pegged orders vulnerable to sniping:

$$N_p^* = \sum_{k=-\infty}^0 0\tilde{q}_k + \sum_{k=1}^{\infty} k\tilde{q}_k = \frac{1-\tilde{\lambda}}{1+\tilde{\lambda}} \sum_{k=1}^{\infty} k\tilde{\lambda}^k = \left(\frac{1-\tilde{\lambda}}{1+\tilde{\lambda}} \right) \frac{\tilde{\lambda}}{(1-\tilde{\lambda})^2} = \frac{\tilde{\lambda}}{1-\tilde{\lambda}^2}. \quad (4.12)$$

Equations (4.7c) and (4.7b) follow by substituting (4.7a) and (4.8) into Equations (3.5) and (4.6), setting them equal to zero in accordance with the equilibrium condition, and solving for N_r and N_s .

The notation $[\cdot]_+$ in (4.9) means that $\tilde{\lambda}$ and hence (4.7a) are truncated below at 0. For parameters such that the truncation binds, the same logic as in the previous proposition shows that profit inequalities imply that $\tilde{\omega}^* = 0$. For the other boundary case, Appendix A.3 explains why the market equilibrium value of ω is always < 1 . \square

Corollary 4.1. *In the limiting case $\delta/\rho \rightarrow 0$ ($\beta \rightarrow 1$), the steady-state value of λ is*

$$\hat{\lambda} = 1 - \xi \frac{(\varphi + 1)\nu}{(1-d)\rho}, \quad (4.13)$$

which is valid for $\rho \geq \frac{\varphi+1}{(1-d)}\nu$.

Proof. When $\beta = 1$, Equation (4.10) simplifies to

$$(\varphi - d)(1 - \lambda)\rho + 2(1 - \lambda)\rho = (\varphi + 1)(\rho + \xi\nu - \rho\lambda) \quad (4.14)$$

from which (4.13) follows. \square

5 Comparative statics

Proposition 4.2 predicts the precise impact of removing midpoint peg protection. Given any admissible parameter vector, the predicted impact is the difference between evaluating the equilibrium expressions at $\xi = 0$ and at $\xi = 1$. In this section, we will develop metrics for assessing that impact, and will see how the impact varies with the other model parameters.

It helps in such exercises to have a common starting point, or baseline, from which to consider variations. A casual look at financial market data, summarized in Appendix B, leads us to these baseline parameter values: $(c, d, \varphi, \beta, \rho, \nu) = (10, 0.18, 1.8, 0.80, 12.8, 6.4)$.

5.1 Performance metrics

Does protection enhance market performance? Taking the investor's perspective, the main issues are price, fees, and delay due to queuing. We propose these three performance metrics:

Price efficiency. The mean absolute deviation, DP , of transaction price from fundamental value should be as small as possible. In our model, the realized deviation is 0 for orders

transacting at the midpoint, 1 for orders transacting at BBO, and 2 for midpoint orders that are sniped. For each market format, DP will be a probability-weighted average of those possible realizations. To help compute the weights, let

$$Q = \sum_{k=1}^{\infty} \tilde{q}_k = \frac{\lambda}{1 + \lambda} \quad \text{and} \quad (5.1)$$

$$\begin{aligned} S &= \sum_{k=0}^{\infty} \tilde{q}_k \left[1 - \left(\frac{\rho}{\rho + \xi\nu} \right)^{k+1} \right] = \frac{1}{1 + \lambda} - \left(\frac{1 - \lambda}{1 + \lambda} \right) \frac{\rho}{\rho + \xi\nu - \rho\lambda} \\ &= \frac{\xi\nu}{(1 + \lambda)(\rho(1 - \lambda) + \xi\nu)}, \end{aligned} \quad (5.2)$$

be (respectively) the probabilities that an investor order encounters contra-side interest at the midpoint, and that an investor order transmitted as a midpoint peg is sniped; of course $S = 0$ if midpoint pegs are protected ($\xi = 0$). Thus

$$\begin{aligned} DP &= 0 \cdot Q + 1 \cdot (1 - \omega)(1 - Q) + 2 \cdot \omega S \\ &= \frac{1 - \omega}{1 + \lambda} + \frac{2\xi\nu\omega}{(1 + \lambda)(\rho(1 - \lambda) + \xi\nu)}. \end{aligned} \quad (5.3)$$

When $\xi = 0$, we have $\lambda = \omega$ and Equation (5.3) simplifies to $DP = \frac{1 - \omega}{1 + \omega}$.

Transaction cost. Investors pay brokerage fee b , which is typically 0.6 to 1 full half spread (\$0.003 – \$0.005)); as an approximation, we set the default value to 0.8. With probability Q , a market order executes immediately at midpoint and is charged an additional explicit fee of d , while with probability $1 - Q$ it executes at BBO and pays an additional implicit fee of 1 half spread in the form of worse execution price. Thus for a market order, the per-share mean transaction cost is

$$TC = b + d \cdot Q + 1 \cdot (1 - Q) = b + \frac{1 + d\lambda}{1 + \lambda}. \quad (5.4)$$

In market equilibrium, TC will be the same for either type of order when $\omega > 0$, so equation (5.4) also applies to pegged orders. Since profit is just the (net of brokerage fee) surplus φ less TC , this metric also tracks investor profit, up to a sign change.

Queuing cost. The expected fractional loss of surplus due to discounting is zero except for orders transmitted as midpoint pegs that go to the back of the queue. By the logic of the previous section, conditional on same-side imbalance $k \geq 0$, the expected discount factor is $\left(\frac{\beta\rho}{\rho + \xi\nu} \right)^{k+1}$, implying a proportional loss $\left[1 - \left(\frac{\beta\rho}{\rho + \xi\nu} \right)^{k+1} \right]$ of net surplus. We define QC as

the unconditional expected proportional loss,

$$\begin{aligned}
QC &= \omega \sum_{k=0}^{\infty} \tilde{q}_k \left[1 - \left(\frac{\beta\rho}{\rho + \xi\nu} \right)^{k+1} \right] \\
&= \frac{\omega}{1 + \lambda} - \frac{\omega\beta\rho}{\rho + \xi\nu} \left(\frac{1 - \lambda}{1 + \lambda} \right) \sum_{k=0}^{\infty} \left(\frac{\beta\rho\lambda}{\rho + \xi\nu} \right)^k \\
&= \frac{\omega}{1 + \lambda} \left(\frac{\rho + \xi\nu - \beta\rho}{\rho + \xi\nu - \beta\rho\lambda} \right). \tag{5.5}
\end{aligned}$$

5.2 Impact of order protection

What impact do model parameters have on equilibrium and performance? We focus here on the parameters ν (controlling the frequency of jumps in the fundamental value) and β (patience of investors), and track their effects on the equilibrium peg fraction ω^* , the sniper ratio $\frac{N_s^*}{N_r^*}$, and the three performance metrics.

Figure 2 depicts those equilibrium ratios and performance metrics as we vary the fundamental jump arrival rate $\nu \in (0, 4)$ with investor arrival rate ρ held constant at its baseline value 12.8. Panel (a) shows that with protection, the equilibrium share ω^* of pegged orders is independent of the jump rate ν ; the horizontal dashed black line shows that it remains at its baseline value 0.756 and the dashed blue line shows that it is a bit higher when investors are more patient. The solid lines show that when protection is removed, $\xi = 1$, midpoint pegs disappear for $\nu > 2.66$ in the baseline, and for a somewhat higher value when investors are more patient; in those regions, the high probability of sniping renders midpoint pegs unprofitable. As a result, panel (b) displays a linear sniper ratio $\frac{N_s^*}{N_r^*} = \frac{2\nu}{c}$ for $\xi = 1$ and large ν , since midpoint pegs nonexistent. Another consequence, seen in the remaining panels, is that all three performance measures are constant and reach their maximal discrepancies for large ν , which includes the baseline value $\nu = 6.4$.

We conclude that, for a considerable range around the baseline value of “turbulence” parameter ν , order protection has a powerful effect: it increases equilibrium pegged orders from zero to majority share and dramatically reduces price inefficiency (DP) and transactions costs (TC). Queuing costs (QC), however, increase from zero to a moderate value of approximately 0.25.

Figure 2 also shows what our model predicts for very low values of turbulence. When there

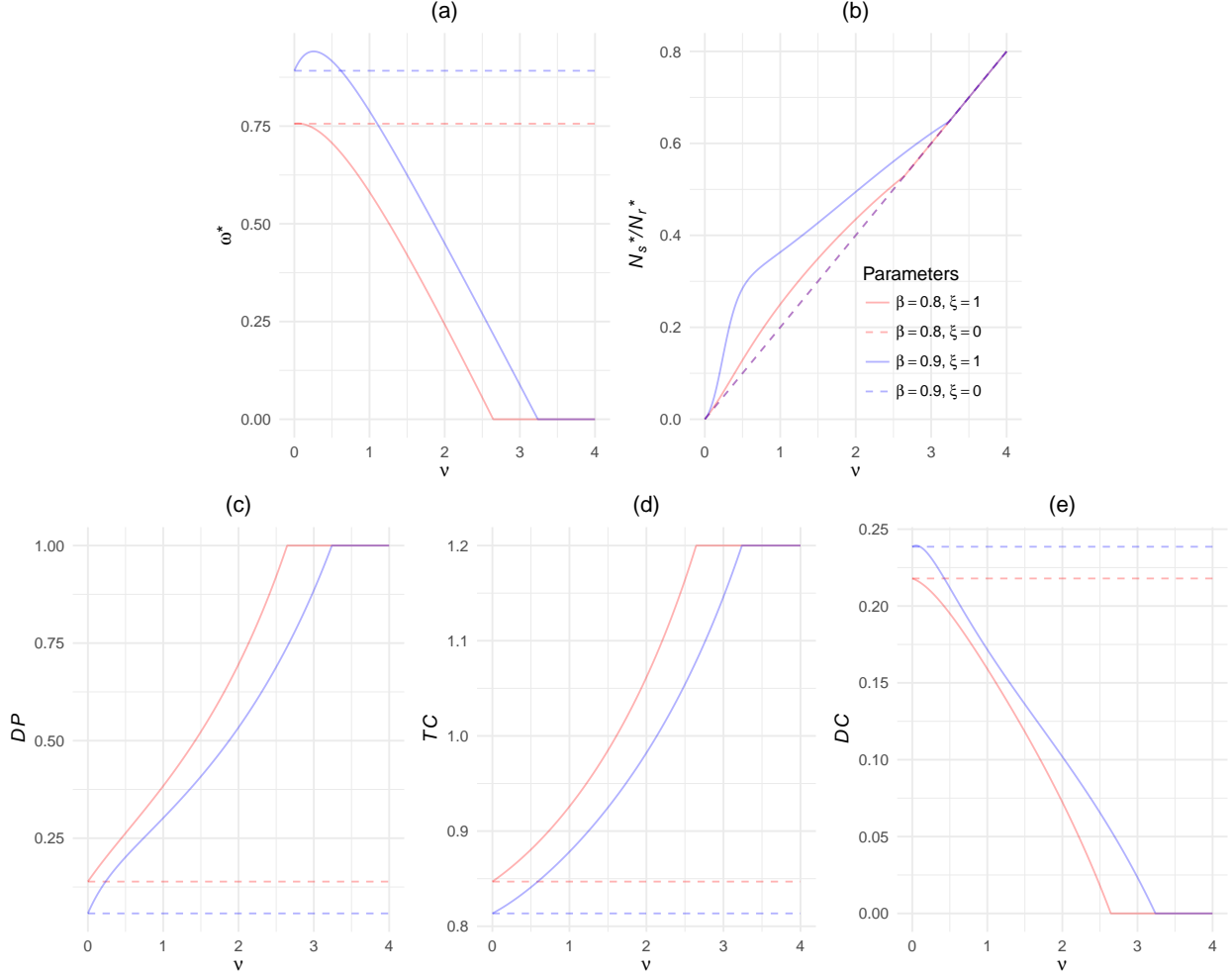


Figure 2: Impact of ν on equilibrium ratios and performance metrics. Other parameters are held fixed at baseline values, except that blue lines show impact when $\beta = 0.9$ instead of baseline $\beta = 0.8$. Dotted lines show values for $\xi = 0$ and solid lines for $\xi = 1$. Panel (a) shows the equilibrium fraction ω^* of pegged orders, Panel (b) shows the equilibrium sniper ratio $\frac{N_s^*}{N_r^*}$, and panels (c), (d) and (e) respectively show the performance metrics price inefficiency, transactions cost and queuing cost.

are vanishingly few jumps in the fundamental relative to investor order arrivals, protection becomes irrelevant and we get the same equilibrium values and performance metrics with $\xi = 1$ as with $\xi = 0$. Between $\nu = 0$ and the point where unprotected pegs disappear (e.g., $\nu > 2.66$ in the baseline) the equilibrium ratios and the performance metrics are all monotonic, as one might expect, but with one surprising exception: the peg share ω^* .

Counterexample. A natural conjecture is that midpoint pegs are always more common when they are protected. The results of Appendix A show that this is true in the sense

that removing protection decreases the mean peg queue length N_p^* . It is also true in the sense that, conditional on order imbalance k , removing protection impairs the profitability of midpoint peg orders more than that of market orders and thus tends to reduce their equilibrium share. However, there is a subtle indirect effect that goes in the other direction: the distribution of queued orders shifts towards smaller imbalances, resulting in faster fills for midpoint peg orders. This reduces the sniping hazard and makes pegs more attractive.

Panel (a) of Figure 2 shows that the conjecture is false. Panel (a) of Figure 2 shows that $\omega^* > \tilde{\omega}^*$ for very small values of ν when $\beta = 0.9$ (not for the baseline β). Evidently, for some extreme parameter values, the indirect effect more than offsets the direct effect.

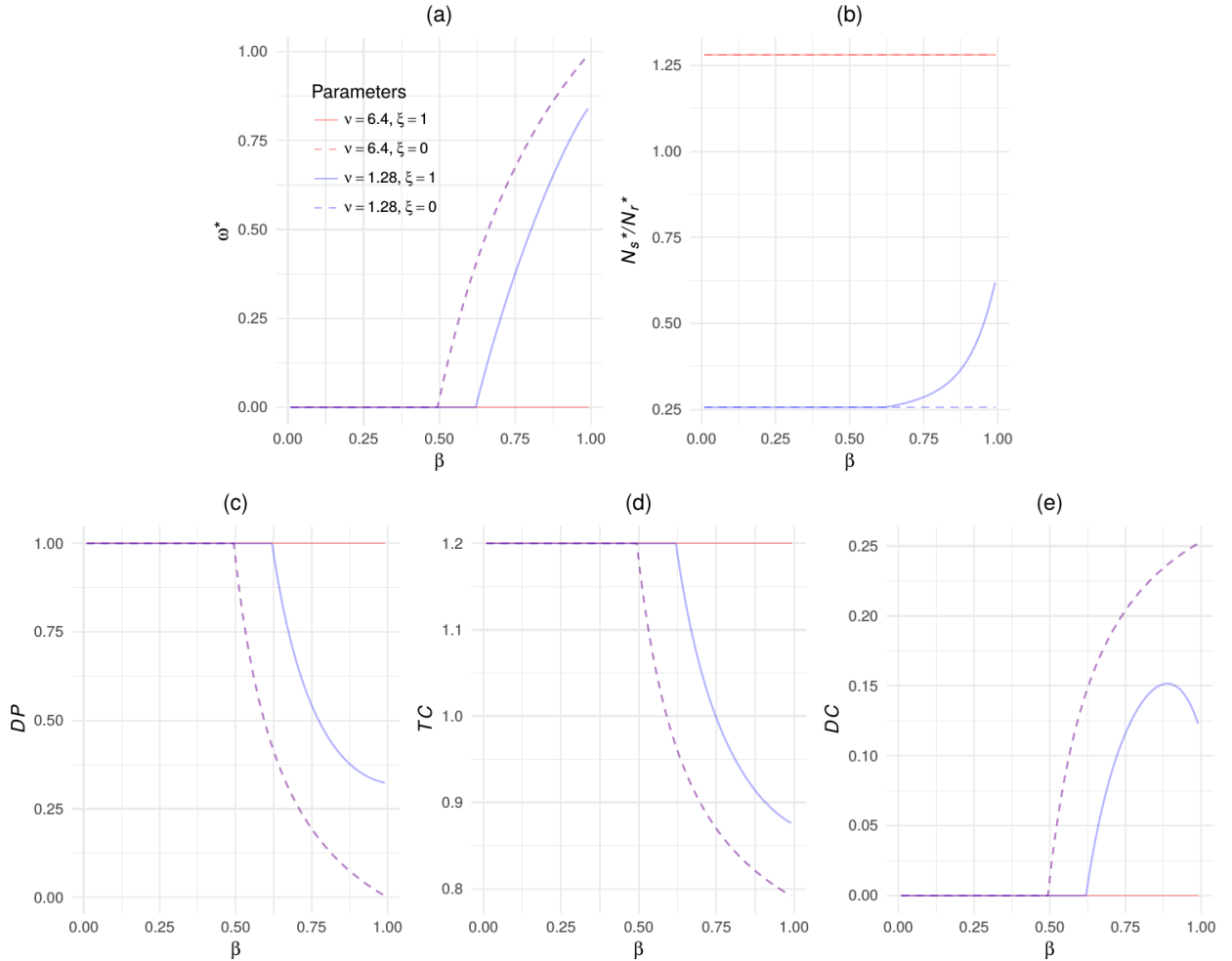


Figure 3: Impact of investor patience on equilibrium ratios and performance metrics. The horizontal axis is $\beta = \exp\left(-\frac{\delta}{\rho}\right)$. All other parameters are at baseline values for black lines, and all except $\nu = 1.28 = 0.1\rho$ for blue lines. Dotted lines show values for $\xi = 0$ and solid lines show $\xi = 1$.

Figure 3 offers a more complete picture of how the impact of order protection depends on investor patience β . For very low values (i.e., for very impatient investors), $\omega^* = \tilde{\omega}^* = 0$. Consequently (as with low ν in the previous figure) in this range we have $\frac{N_s^*}{N_r^*} = \frac{2\nu}{c}$ and the performance metrics are independent of protection ($\xi \in \{0, 1\}$). However, for $\beta \gtrsim 0.5$, the protected equilibrium results in $\omega^* > 0$, which is associated with uniformly lower pricing errors (DP) and transactions costs (TC) at the expense of uniformly higher queuing costs (QC). These cases also result in a higher fraction of snipers to makers, $\frac{N_s^*}{N_r^*}$, for unprotected markets.

(a) Baseline					
Market	ω^*	N_s^*/N_r^*	DP	TC	QC
$\xi = 0$	0.756	1.28	0.139	1.45	0.218
$\xi = 1$	0	1.28	1	1.8	0
Diff	0.756	0	-0.861	-0.35	0.218

(b) $\nu = 1.28$					(c) $\rho = 6.4, \nu = 12.8$						
	ω^*	N_s^*/N_r^*	DP	TC	QC		ω^*	N_s^*/N_r^*	DP	TC	QC
$\xi = 0$	0.756	0.256	0.139	1.45	0.218	$\xi = 0$	0.756	2.56	0.139	1.45	0.218
$\xi = 1$	0.494	0.308	0.458	1.53	0.137	$\xi = 1$	0	2.56	1	1.8	0
Diff	0.262	-0.0518	-0.32	-0.0819	0.0813	Diff	0.756	0	-0.861	-0.35	0.218

(d) $\beta = 0.1$					(e) $\beta = 0.99$						
	ω^*	N_s^*/N_r^*	DP	TC	QC		ω^*	N_s^*/N_r^*	DP	TC	QC
$\xi = 0$	0	1.28	1	1.8	0	$\xi = 0$	0.99	1.28	0.00495	1.39	0.252
$\xi = 1$	0	1.28	1	1.8	0	$\xi = 1$	0	1.28	1	1.8	0
Diff	0	0	0	0	0	Diff	0.99	0	-0.995	-0.41	0.252

(f) $\nu = 0.128, \beta = 0.9$					(g) $\nu = 1.28, c = 30$						
	ω^*	N_s^*/N_r^*	DP	TC	QC		ω^*	N_s^*/N_r^*	DP	TC	QC
$\xi = 0$	0.892	0.0256	0.0573	1.41	0.239	$\xi = 0$	0.756	0.0853	0.139	1.45	0.218
$\xi = 1$	0.931	0.0511	0.107	1.4	0.238	$\xi = 1$	0.494	0.103	0.458	1.53	0.137
Diff	-0.039	-0.0255	-0.0497	0.01	0.001	Diff	0.262	-0.0173	-0.32	-0.0819	0.0813

Table 2: Performance metrics at market equilibrium with ($\xi = 0$) and without ($\xi = 1$) order protection. Panel (a) corresponds to baseline parameters $c = 10$, $d = 0.18$, $\varphi = 1.8$, $\beta = 0.8$, $\rho = 12.8$ and $\nu = 6.4$; the remaining panels use specified deviations from the baseline case.

Interestingly, panel (e) of Figure 3 shows that queuing costs *decrease* in the unprotected case for very high values of β . This is a result of the fact that queuing costs are decreasing in the discount factor β^k , but increasing in the fraction of pegged orders $\omega^*(\beta)$. For most values of β , the second effect is stronger than the first, resulting in increasing queuing costs. However, when $\xi = 1$, the increase in $\omega^*(\beta)$ is not enough to overcome the discount factor for large β , and queuing costs decline.

Table 2 reports specific equilibrium values and performance metric comparisons for the baseline parameterization (Panel (a)) and specified deviations from baseline.

An important implication of Equations 3.6 – 3.8 and 4.7a – 4.7b is that the cost of speed technology, c , only affects equilibria through the number of snipers, N_s^* ; it does not impact the share of pegged orders or the number of market makers. As a result, the performance measures do not vary with c . However, it does affect the sniper ratio, $\frac{N_s^*}{N_r^*}$. The third columns of panels (b) and (f) of Table 2 report values for the difference in $\frac{N_s^*}{N_r^*}$ under the two market formats when $\nu = 1.28$; panel (e) reports the same difference for $\nu = 0.128$ and $\beta = 0.9$.

6 Discussion

The ultimate source of profits for both proprietary traders and brokers in our model is the exogenous order flow from investors. Investor orders provide fee income to brokers, whose transactions subsequently provide income to proprietary traders who make markets via lit resting orders at the best bid and best offer. Some of that income is diverted to snipers, who transact with stale BBO orders immediately following a jump in the fundamental value. Intuitively, we have a food chain, with impatient investors' market orders sustaining regular limit orders, which sustain sniping.

For a relatively small fee $d < 1$, the IEX format offers investors/brokers an attractive new option: a hidden midpoint peg that is protected from snipers and executes at a (half spread) better price. However, pegged orders incur an expected queuing cost that increases with the fraction ω of investors that choose pegs. Since pegged orders are hidden, traders can not observe the actual queue in advance, but in equilibrium they know its expected length and the corresponding delay cost. When that expected queuing cost is sufficiently

disadvantageous, investors (or their brokers) will resort to standard market orders, which execute against market makers' lit best bids and offers.

6.1 Testable predictions

Our model lays out the equilibrium consequences of those tradeoffs, providing predictions that can be tested against laboratory and field data. The simplest version of the model is intended to capture the functioning of the IEX format in calm conditions. It assumes a thick order book of slow (unprotected) regular orders at BBO, and assumes that midpoint pegged orders are protected from sniping. Key predictions include:

1. Both the number of active market makers, N_r , and snipers, N_s , will increase when the flow of investors, ρ , increases. Indeed, if the discount rate δ is proportional to ρ ,⁴ so that β and ω^* remain constant, the equilibrium quantities of both types of proprietary traders are directly proportional to ρ , as seen in equations (3.7) - (3.8).
2. Equations (3.7) - (3.8) also show that an increase in ν (i.e., an increase in turbulence, hence in sniping opportunities) will proportionately decrease the population size of market makers, N_r , but (perhaps surprisingly) have no impact on the population size of snipers, N_s .
3. The ratio ν/ρ is a key indicator of market conditions. All equilibrium expressions save one can be cast as functions of that ratio; for them varying ν is the inverse of varying ρ . The exception is the number of snipers N_s^* , which scales as $1/\rho$.
4. An increase in the cost of speed, c , will proportionately reduce the population size of snipers, N_s , but will have no effect on the population size of market makers, N_r .
5. The fraction of impatient investors that transmit pegged orders, ω^* , is an increasing function of the discount factor, $\beta = \exp\left(-\frac{\delta}{\rho}\right) \in (0, 1]$.

What happens when midpoint orders are not protected from sniping ($\xi = 1$)? According to Propositions 4.1 and 4.2:

⁴This might be the case if impatience arises mainly from concerns about preemption by other investors.

1. Given a positive fraction of orders transmitted as pegs, ω , Equation (4.3) tells us that $\lambda < \omega$, i.e., the order imbalance is more tightly concentrated around zero.
2. The equilibrium value of ω^* is smaller when $\xi = 1$ for a wide range of parameter values, including baseline parameters. However, the inequality can go the other way for certain extreme parameter values.
3. In the usual case that $\tilde{\omega}^* < \omega^*$, Equations (3.7), (3.8), (4.7c), and (4.7b) show that the number N_r of limit orders at BBO and the number of snipers N_s will be larger when $\xi = 1$.
4. Most importantly, for parameter values in a large neighborhood of baseline, imposing midpoint peg order protection makes transaction prices far more efficient and substantially lowers transactions costs, but somewhat increases queuing costs.

6.2 Future work

To isolate the impact of order protection, we have assumed that IEX's unique fee structure is maintained throughout. Future work with small variants on the present model could investigate the impact of fee structure, with and without order protection.

How well do current results stand up when key simplifying assumptions are relaxed? In particular, what happens when we relax Assumption A5 and allow liquidity adders (either of lit orders at BBO or of hidden midpoint pegs) to also purchase speed at flow cost $c > 0$? Those who purchase speed have some chance of escaping snipers. Closed-form solutions are no longer possible, but one can use recursion techniques (in particular, the Erlang B model) to solve for equilibrium numerically. Preliminary work so far indicates no qualitative changes to current results, but more work is needed.

A more ambitious extension of the present model would consider what happens when the fundamental value follows a more complicated rule than Assumption A3, or when it is unobservable and tied to the investor arrival process. Thus, one could replace A3 and A4 by an exogenous and time-varying process of investor arrivals in which V is implicitly defined by balancing buy and sell orders in expectation.

Another important theoretical extension is to relax Assumption A1 and to model competing exchanges, and possibly multiple securities. The NBBO and the fundamental values would be endogenous, given some appropriately specified overall investor demand that would distribute itself across exchanges, assets and order types. Such an extension would highlight how protecting pegged orders via exchange delay relies on viewing the NBBO established elsewhere. In that sense, such protection can not be a complete solution to perceived problems caused by high-frequency trading.

Empirical work need not wait for these theoretical extensions. In the laboratory, one could investigate whether human subjects in the broker role track $\hat{\omega}$ when the experimenter varies parameters such as (δ, φ, d) , and whether human subjects in the proprietary trader role follow the comparative static predictions of the impact on (N_r, N_s) of the parameters (ν, ρ, c) . Using field data, one might examine the order imbalance distribution and the present model's comparative statics. We hope that the present paper encourages such new empirical and theoretical research.

Appendices

A Distribution of Order Imbalance

A.1 Protected Pegged Orders

Proposition 3.1. *Let $\omega \in (0, 1)$ be the probability that an investor arrival on either side of the market results in a midpoint peg order. Given Assumptions A1-A5, there is a unique steady state distribution $q : \mathbb{Z} \rightarrow (0, \infty)$ of the order imbalance, with*

$$q_k = \left(\frac{1 - \omega}{1 + \omega} \right) \omega^{|k|}, \quad k \in \mathbb{Z}. \quad (3.1)$$

Proof. As noted in the text, an investor arrival generates a midpoint peg buy or sell order, or a market buy or sell order, with respective probabilities $\omega/2, \omega/2, (1 - \omega)/2, (1 - \omega)/2$. Recall also that a new pegged sell (resp. buy) order generates a transition $k \rightarrow k + 1$ (resp.

$k \rightarrow k - 1$), while a new market sell (resp. buy) order generates a transition $k \rightarrow k + 1$ when $k < 0$ (resp. $k \rightarrow k - 1$ when $k > 0$) and otherwise no transition.

Thus an arrival updates a negative imbalance probability $p(k|k < 0)$ to $p'(k|k < 0) = \frac{\omega}{2}p(k + 1|k < 0) + \frac{1-\omega}{2}p(k|k < 0) + \frac{1}{2}p(k - 1|k < 0)$; the first two terms arise from p and m buy orders respectively, and the third term from any sell order. In steady state $p'(k|k < 0)$ is equal to the pre-update value $p(k|k < 0)$. Thus we obtain the following steady state equation for negative imbalance, together with analogous equations for a zero imbalance and a positive imbalance:

$$p(k|k < 0) = \frac{\omega}{2}p(k + 1|k < 0) + \frac{1 - \omega}{2}p(k|k < 0) + \frac{1}{2}p(k - 1|k < 0) \quad (\text{A.1})$$

$$p(0) = \frac{1}{2}p(1) + (1 - \omega)p(0) + \frac{1}{2}p(-1) \quad (\text{A.2})$$

$$p(k|k > 0) = \frac{1}{2}p(k + 1|k > 0) + \frac{1 - \omega}{2}p(k|k > 0) + \frac{\omega}{2}p(k - 1|k > 0). \quad (\text{A.3})$$

Substituting $p(k|k < 0) = q_k$ in (3.1) for all $k < 0$, and writing $b = \left(\frac{1-\omega}{1+\omega}\right)$ to reduce notation, we verify directly that equation (A.1) holds:

$$\begin{aligned} b\omega^{-k} &= \frac{\omega}{2}b\omega^{-(k-1)} + \frac{1 - \omega}{2}b\omega^{-k} + \frac{1}{2}b\omega^{-(k+1)} \\ &= \left(\frac{1}{2} + \frac{1}{2}\right)b\omega^{-k} + \left(\frac{1}{2} - \frac{1}{2}\right)b\omega^{-(k+1)} \\ &= b\omega^{-k}. \end{aligned} \quad (\text{A.4})$$

Verifying that $q_k = p(k|k \geq 0)$ in (3.1) satisfies (A.2) and (A.3) is similarly straightforward. Any other solution of the steady state equations (A.1) - (A.3) must be proportional to q , so to prove the proposition it suffices to verify that q is a probability distribution on \mathbb{Z} :

$$\sum_{k \in \mathbb{Z}} q_k = b \left(1 + 2 \sum_{k=1}^{\infty} \omega^k \right) = b \left(1 + 2 \frac{\omega}{1 - \omega} \right) = b \frac{1 + \omega}{1 - \omega} = bb^{-1} = 1. \quad \square$$

A.2 Unprotected Pegged Orders

When midpoint peg orders are not protected from sniping, the set of possible events increases to six: the four types of investor arrivals, in addition to increasing and decreasing jumps in the fundamental. The stationary distribution then has the same general form as in the protected case, but is a more complicated function of the exogenous parameters.

Proposition 4.1. *Let $\omega \in (0, 1)$ be the probability that an investor arrival on either side of the market results in a midpoint peg order. Given assumptions A1-A5b, there is a unique steady state distribution $\tilde{q} : \mathbb{Z} \rightarrow (0, \infty)$ of the order imbalance, with*

$$\tilde{q}_k = \left(\frac{1 - \lambda}{1 + \lambda} \right) \lambda^{|k|}, \quad k \in \mathbb{Z}, \quad (4.2)$$

where

$$\lambda = \frac{1}{2} \left(1 + \frac{\xi\nu}{\rho} + \omega \right) - \frac{1}{2} \sqrt{\left(1 + \frac{\xi\nu}{\rho} + \omega \right)^2 - 4\omega} \in (0, \omega], \quad (4.3)$$

and the variable $\xi = 0$ (resp. $\xi = 1$) indicates that pegged orders are protected from sniping (resp. are not protected).

Proof. The relative probabilities of the four investor events are unchanged from the previous proposition, but to accommodate the directional jumps in the fundamental value, those four probabilities all shrink by the factor $\frac{\rho}{\rho + \xi\nu}$. An upwards jump has probability $\frac{1}{2} \frac{\nu}{\rho + \nu}$ and causes the transition $k \rightarrow 0$ when $k > 0$ and $\xi = 1$, and otherwise has no effect. A downwards jump has the same probability and causes the transition $k \rightarrow 0$ when $k < 0$ and $\xi = 1$, and otherwise has no effect.

With those modifications, the equations parallel to (A.1) - (A.3) that define the steady state distribution become:

$$\begin{aligned} p(k|k < -1) &= \frac{\omega}{2} \frac{\rho}{\rho + \xi\nu} p(k + 1|k < -1) \\ &\quad + \left(\frac{1}{2} - \frac{\omega}{2} \frac{\rho}{\rho + \xi\nu} \right) p(k|k < -1) + \frac{1}{2} \frac{\rho}{\rho + \xi\nu} p(k - 1|k < -1) \end{aligned} \quad (A.5)$$

$$\begin{aligned} p(0) &= \sum_{k \neq 0} \frac{1}{2} \frac{\xi\nu}{\rho + \xi\nu} p(k) + \frac{1}{2} \frac{\rho}{\rho + \xi\nu} p(1) + \left(1 - \omega \frac{\rho}{\rho + \xi\nu} \right) p(0) + \frac{1}{2} \frac{\rho}{\rho + \xi\nu} p(-1) \\ &= \frac{1}{2} \frac{\xi\nu}{\rho + \xi\nu} - \frac{1}{2} \frac{\xi\nu}{\rho + \xi\nu} p(0) + \frac{1}{2} \frac{\rho}{\rho + \xi\nu} p(1) + \left(1 - \omega \frac{\rho}{\rho + \xi\nu} \right) p(0) + \frac{1}{2} \frac{\rho}{\rho + \xi\nu} p(-1) \\ &= \frac{1}{2} \frac{\xi\nu}{\rho + \xi\nu} + \frac{1}{2} \frac{\rho}{\rho + \xi\nu} p(1) + \left(1 - \frac{\rho\omega + (1/2)\xi\nu}{\rho + \xi\nu} \right) p(0) + \frac{1}{2} \frac{\rho}{\rho + \xi\nu} p(-1) \end{aligned} \quad (A.6)$$

$$\begin{aligned} p(k|k > 1) &= \frac{1}{2} \frac{\rho}{\rho + \xi\nu} p(k + 1|k > 1) \\ &\quad + \left(\frac{1}{2} - \frac{\omega}{2} \frac{\rho}{\rho + \xi\nu} \right) p(k|k > 1) + \frac{\omega}{2} \frac{\rho}{\rho + \xi\nu} p(k - 1|k > 1). \end{aligned} \quad (A.7)$$

By symmetry, $p(1) = p(-1)$, so the equation for $p(0)$ implies

$$p(1) = p(-1) = \left(\omega + \frac{\xi\nu}{2\rho} \right) p(0) - \frac{\xi\nu}{2\rho}. \quad (\text{A.8})$$

Solving Equations (A.5) - (A.8) for $p(k|k < 0)$ and $p(k|k > 0)$, we find

$$p(k+1|k > 0) = \left(1 + \frac{\xi\nu}{\rho} + \omega \right) p(k|k > 0) - \omega p(k-1|k > 0) \quad (\text{A.9})$$

$$p(k-1|k < 0) = \left(1 + \frac{\xi\nu}{\rho} + \omega \right) p(k|k < 0) - \omega p(k+1|k < 0). \quad (\text{A.10})$$

Equations (A.9) and (A.10) are linear second order homogeneous difference equations, whose general solution takes the form

$$p(k) = a_1 \lambda_1^{|k|} + a_2 \lambda_2^{|k|}, \quad (\text{A.11})$$

where

$$\lambda_1 = \frac{1}{2} \left(1 + \frac{\xi\nu}{\rho} + \omega \right) + \frac{1}{2} \sqrt{\left(1 + \frac{\xi\nu}{\rho} + \omega \right)^2 - 4\omega} \quad (\text{A.12})$$

$$\lambda_2 = \frac{1}{2} \left(1 + \frac{\xi\nu}{\rho} + \omega \right) - \frac{1}{2} \sqrt{\left(1 + \frac{\xi\nu}{\rho} + \omega \right)^2 - 4\omega}, \quad (\text{A.13})$$

are the roots of the quadratic equation

$$\lambda^2 - \left(1 + \frac{\xi\nu}{\rho} + \omega \right) \lambda + \omega = 0. \quad (\text{A.14})$$

The discriminant $\left(1 + \frac{\xi\nu}{\rho} + \omega \right)^2 - 4\omega$ is bounded above by $\left(1 + \frac{\xi\nu}{\rho} + \omega \right)^2$ and bounded below by $\left(1 + \frac{\xi\nu}{\rho} + \omega \right)^2 - 4\omega(1 + \frac{\xi\nu}{\rho}) = \left(1 + \frac{\xi\nu}{\rho} - \omega \right)^2$ for all $\nu, \rho > 0$ and $\xi, \omega \in [0, 1]$. As a result, $\lambda_1 \geq 1$ and, as required by equation (4.3) of the proposition, $\lambda \equiv \lambda_2 \in (0, \omega)$. It is easily seen that $\lambda = \omega$ when $\xi = 0$.

From the boundary condition $p(k) \rightarrow 0$ as $k \rightarrow \infty$, we see that $a_1 = 0$ since $\lambda_1 \geq 1$. Consequently, Equation (A.11) implies that $p(0) = a_2$. Enforcing the summability constraint for a probability distribution, we find:

$$1 = \sum_{k=-\infty}^{\infty} p(k) = a_2 + 2a_2 \sum_{k=1}^{\infty} \lambda^k = a_2 \left[1 + 2 \frac{\lambda}{1-\lambda} \right] = a_2 \left[\frac{1+\lambda}{1-\lambda} \right], \quad (\text{A.15})$$

Hence, $a_2 = p(0) = \frac{1-\lambda}{1+\lambda}$ and from Equation (A.11) we obtain the desired expression (3.1). \square

Corollary A.1. *Given parameters ν , ρ and ξ , the steady-state fraction of brokers choosing to place midpoint peg orders is*

$$\omega = \lambda + \xi \left[\frac{\lambda}{1 - \lambda} \right] \frac{\nu}{\rho}, \quad (\text{A.16})$$

where λ is the steady state value determined in Proposition 4.1.

Proof The result is obtained by solving for ω in Equation (A.14).

Remark. Clearly ω is strictly increasing in λ for the relevant parameter values, so its inverse function $\lambda(\omega|\xi = 1, \nu, \rho)$ exists and is also strictly increasing.

A.3 What happens when $\omega \rightarrow 1$?

Suppose the model parameters are chosen so that $\omega = 1$. Then equation (3.2) says that $\pi_p = \frac{\varphi-d}{2}$. That is, with probability $\frac{1}{2}$ there is a contra-side queue and a pegged order executes immediately, yielding surplus $\varphi - d$. When there is no contra-side queue, the pegged order joins an arbitrarily long queue and has zero present value.

Formulas such as (3.2) may not convey the intuition behind this result. To better understand it, consider the limiting distribution $q_k(\omega)$ in (3.1) as $\omega \rightarrow 1$. Up to a multiplicative normalizing constant, the probability $\omega^{|k|}$ approaches unity for any fixed k . More precisely, for any large but fixed integer K and centered sequence $\mathcal{K} = (-K, -K+1, \dots, -1, 0, 1, \dots, K-1, K)$, each queue length $k \in \mathcal{K}$ has probability $q_k < \frac{1}{2^{K+1}}$ in the limit as $\omega \rightarrow 1$. Thus, in the limit we have an improper distribution on Z , in which the probability “leaks out to $\pm\infty$ ”. The result is an infinite expected wait time and zero present value.

When $\omega = 1$, equation (3.3) gives $\pi_m = \frac{\varphi-d}{2} + \frac{\varphi-1}{2} = \pi_p + \frac{\varphi-1}{2} \geq \pi_p$. That is, as usual, the market order gets the same fill as a peg when there is a contra-side queue, but if there is not, the market order is filled profitably (at the BBO) and so dominates a pegged order. Thus, the equal profit condition always fails when $\omega = 1$ (and $\varphi > 1$), and so $\omega = 1$ is never part of a market equilibrium. The logic applies equally to protected and unprotected midprice orders. Of course, the deep-book-at-BBO assumption does not make sense in this case, unless the BBO orders are routed from other exchanges (see Appendix C.2).

B Baseline Model Calibration

Here we explain how our baseline parameter values connect with available market data.

B.1 Investor Fraction ω^*

Recall that ω is the fraction of investor orders transmitted as midpoint pegs and for $\xi = 0$

$$Q = \sum_{k=1}^{\infty} q_k = \frac{\omega}{1 + \omega} \quad (\text{B.1})$$

is the probability that there is a contra-side order resting at midprice (see, e.g., Equation (3.3)). A new investor order is represented in Table 1 in one of three ways:

1. With probability Q , an agency will remove liquidity at midprice.
2. With probability $\omega(1 - Q)$, an agency will add liquidity at midprice.
3. With probability $(1 - \omega)(1 - Q)$, an agency will remove liquidity at BBO.

Conditional on an agency order, these probabilities sum to unity; unconditionally (given the presence of proprietary traders) the sum of probabilities (.2081, .2784, .0744, respectively) is 0.5609. As a result,

$$\frac{0.2081}{0.5609} = Q = \frac{\omega}{1 + \omega} \implies \omega \approx 0.59 \quad (\text{B.2})$$

$$\frac{0.2784}{0.5609} = \omega(1 - Q) = \frac{1}{1 + \omega} \implies \omega \approx 1.01 \quad (\text{B.3})$$

$$\frac{0.0744}{0.5609} = (1 - \omega)(1 - Q) = \frac{1 - \omega}{1 + \omega} \implies \omega \approx 0.77. \quad (\text{B.4})$$

$$(\text{B.5})$$

The average of these values is 0.79, so we will choose baseline parameters that yield $\omega \approx 0.75$.

B.2 Midprice Transaction Fee

The IEX fee for transacting at the mid price is \$0.0009. As a single price unit in our model is equivalent to \$0.005, we set $d = 0.18$ price units.

B.3 Investor Surplus

We define φ as the surplus for the marginal investor with impatience β^* (defined below). Such an investor is willing to transmit a market order at unit cost (0.5 spreads or pennies) in addition to the direct fee, b , of \$0.003 – \$0.005 (an approximation reported to us by practitioners) per share. The direct fee is equivalent to 0.6 – 1 half-spreads, so $\varphi \approx 1 + 0.8 = 1.8$ half-spreads.

B.4 Discount Factor

Suppose each investor i has private impatience parameter $\beta_i \in [0, 1]$, drawn independently from a given distribution $F(\beta)$. In practice, investors choose from a long menu of broker algorithms for placing and canceling orders, and their choices partially reveal their values of β_i .

In our model, investors only choose between midpoint pegs and market orders, implying a threshold, $\tilde{\beta}$, such that more patient investors (those with $\beta_i > \tilde{\beta}$) choose pegs and less patient investors choose market orders. Thus, given $\tilde{\beta}$, a fraction $\omega = 1 - F(\tilde{\beta})$ of the orders are transmitted as pegs.

Our steady state distribution of order imbalances (Proposition 3.1) implies a distribution of waiting times, and thus expected investor profits $\pi_i(\theta|\omega, \beta_i)$, for order types $\theta \in \{\text{peg, mkt}\}$. By maximizing over θ (choosing the preferred order type) we obtain a new threshold $\tilde{\beta}'$. The result is a map $M : [0, 1] \rightarrow [0, 1]$, $\hat{\beta} \mapsto \hat{\beta}'$.

Lemma B.1. *If the distribution F is continuous, then the mapping M , defined above, has a unique fixed point $\beta^* \in [0, 1]$.*

Proof sketch. M is continuous and monotone decreasing, so the conclusion follows from the intermediate value theorem.

This result allows us to infer β^* from our calibration of ω^* and the other parameters: given vector (ω^*, φ, d) we use the equal profit condition for the marginal investor, Equation (3.9), to solve

$$\beta^* = \frac{\varphi - 1}{\varphi - d - \omega^*(1 - d)}$$

$$\begin{aligned}
&= \frac{1.8 - 1}{1.8 - 0.18 - 0.75 \times (1 - 0.18)} \\
&= 0.79.
\end{aligned}
\tag{B.6}$$

Substituting $\rho = 12.82$ (determined below) into the relation $\beta^* = \exp(-\delta/\rho)$ we arrive at $\delta = -\rho \log(\beta^*) \approx 3$.

B.5 Arrival Intensities

Table 3 reports the S&P 500 exchange traded fund (ticker SPY) transaction volume at IEX for the month of December, 2016. As we consider the asset in our model to be similar to a highly liquid asset such as SPY, we use the volume statistics in Table 3 to calibrate the investor arrival intensity parameter, ρ . The total number of SPY shares traded by

	Other Nonroutable				Primary Peg				
	Hidden		Lit		Hidden		Lit		
	BBO	Mid	BBO	Mid	BBO	Mid	BBO	Mid	
Agency Remover	489370	80279	2506659	0	0	0	0	0	0
Prop Remover	2262796	230826	1201430	0	0	0	0	0	0
Agency Adder	146504	24141	2030384	0	263913	0	0	0	0
Prop Adder	14655	1041	5978539	0	1882565	0	0	0	0
	Midoint Peg				Discretionary Peg				
	Hidden		Lit		Hidden		Lit		
	BBO	Mid	BBO	Mid	BBO	Mid	BBO	Mid	
Agency Remover	0	1644581	0	0	0	591604	0	0	0
Prop Remover	0	565548	0	0	0	2200	0	0	0
Agency Adder	99915	1228941	0	0	1800154	2057015	0	0	0
Prop Adder	0	4802	0	0	3100	4490	0	0	0

Table 3: IEX SPY volume for December 2016 by order type and transaction price. Excludes routable orders and transactions in locked or crossed market conditions.

Agency Removers (across all order types) is 5,312,493 and the shares traded by Agency

Adders via only Midpoint and Discretionary pegs is 5,186,025, resulting in a total volume of 10,498,518 shares by the equivalent of investors in our model. Since our model considers an investor arrival to be a unit transaction, and since a unit transaction at IEX is 100 shares, there were a total of $10,498,518/100 \approx 105,000$ investor arrivals during the 21 trading days, or $21 \times 6.5 \times 60 = 8190$ trading minutes of December, 2016, resulting in $\rho = 105,000/8190 = 12.82$ investor arrivals per minute or roughly 1 arrival every 4.68 seconds.

To calibrate ν we utilize SPY quotation data at Nasdaq, which, given its liquidity and overall market share, is a good surrogate for the SPY NBBO. Our sample covers the period 16 June – 11 September, 2014. There are 26,216,524 quotations in the 62-day period, which comprises 1,450,800,000 milliseconds during trading hours, or approximately 1 quote every 55 milliseconds. Defining a jump as any midpoint price change of magnitude at least \$0.01 over the period of four quotations, or 220 milliseconds, resulted in an average of approximately 2,500 jumps per day, $\nu = 6.41$ jumps per minute, or one jump every 9.36 seconds.

Combining the values of ρ and ν , our baseline measures suggest $\frac{\nu}{\rho} \approx 0.5$, or that the intensity of value jumps is about half that of investor arrivals.

B.6 Cost of Speed

At the time of this writing, one of the premier microwave transmission services, McKay Brothers LLC, offers low latency data services for 8 select ETFs (such as SPY) for \$3,100 per month. This translates to $\$3100/(8 \times 8190) = \0.047 or approximately $c = 10$ half-spreads per symbol, per minute.

C Institutional Information

C.1 Exchanges Imposing Delay

Several exchanges impose messaging delays to their systems. On May 16, 2017, nearly a year after the SEC approval of IEX to operate as a national securities exchange, NYSE American

(formerly NYSE MKT) received similar approval to impose a 350 microsecond delay to all inbound and outbound messages in its system. Much like IEX, the delay protects non-displayed pegged orders, which include a discretionary pegged order type (nearly identical to the IEX discretionary peg) that was approved by the SEC in June, 2016.

Several months later, the Chicago Stock Exchange (CHX) also received approval to impose a 350 microsecond delay. Unlike the predecessor systems mentioned above, the CHX messaging delay protects all pegged orders, not only those that are non-displayed. This system, referred to as Liquidity Enhancing Access Delay (LEAD), also allows limit and cancel orders sent by specially designated market makers to be exempt from the delay. To obtain LEAD market maker status, traders are subject to specific month-to-month liquidity provision and transaction requirements.

Unlike the foregoing systems, TSX Alpha, launched in September 2015, imposes a longer, random delay of 1 – 3 milliseconds. Like CHX, the TSX messaging delay protects all pegged orders. Additionally, “post-only” limit orders are not subject to the delay. Post-only orders enter the order book as traditional limit orders, but in the event that they cross a standing quotation, they are either repriced (less aggressively) or cancelled. TSX Alpha also uses an inverted taker-maker fee structure, issuing a rebate (\$0.0010) to traders taking liquidity and charging fees (\$0.0014 – \$0.0016 for post-only limits and \$0.0013 – \$0.0014 for non-post-only limits) to traders providing liquidity. As a result, traders may surpass the delay by paying an explicit fee to the exchange.

C.2 Order Routing

In accordance with Regulation National Market System (Reg NMS), all exchanges in the United States route orders to protected quotations at other exchanges when those quotations offer price improvement. The IEX router does this both at initial receipt of an order, and at periodic intervals for orders resting on the book. The latter feature is referred to as resweep. To be eligible for such protection, orders must be designated as “routable”, whereas “nonroutable” orders are sent directly to the IEX book and are not eligible for resweep.

The order book and router are distinct components of the IEX system. After passing through the initial 350 microsecond point-of-presence delay, nonroutable orders are sent

directly to the IEX order book, whereas routable orders are sent to the router. The IEX order router then disseminates these latter orders to all national market systems (including their own) following a proprietary routing table. Messages that are passed between the IEX order book and router are subject to an additional one-way 350 microsecond delay. As a result, routable orders that are sent to the IEX order book experience a cumulative delay of 700 microseconds before queuing behind other orders in the system. No additional delay is enforced between the IEX router and external exchanges.

As noted in Section 2, routable orders constitute only 15% of IEX trading volume and represent traders that use the IEX router as an access point to the national market system. The remaining, nonroutable volume, represents trading interest intended to capture incentives of the IEX market design.

C.3 Pegged Order Types

Section 2 lists the three types of pegged orders at IEX. Midpoint pegs rest at the midpoint of NBBO, whereas primary pegs are booked in the hidden order queue one price increment (typically \$0.01) below (above) NBB (NBO), and are promoted to transact at NBB or NBO if sufficient trading interest arrives at those prices. Discretionary pegs combine the benefits of these first two: when entering the order book, they check the NBBO midpoint for contra-side interest, but in the absence of such interest, are pegged to NBB or NBO and are queued behind other hidden orders at those prices. Further, in the event that contra-side interest subsequently arrives at the NBBO midpoint, discretionary peg orders can be promoted to transact at the midpoint. If no such interest arrives, discretionary pegs are treated as typical hidden NBBO orders.

Table 1 shows that midpoint trading constitutes a little more than 60% of volume, discretionary peg trading accounts for 37% of volume and 89% of discretionary pegs are transacted at the midpoint. The implication is that midpoint volume is nearly evenly split between midpoint and discretionary pegs. Primary pegs and discretionary pegs transacted at BBO each account for 5% or less of reported volume. Thus, while there is a distinction between midpoint and discretionary peg orders, in practice nearly all discretionary peg orders transact at midpoint. For this reason, we reduce the decision space for order types in our model to a

simple midpoint peg.

Table 1 also reports small volume statistics for seemingly incongruous trades: (1) midpoint orders that transact at BBO and (2) hidden nonroutable orders (not pegs) that transact at midpoint. The first case occurs when midpoint pegs are booked with a limit price constraint which binds after subsequent movements in the NBBO. In such instances, an order that originally rested at midpoint might later rest and transact at BBO. The second case occurs under nuanced conditions where the NBBO is more than a single price increment wide or when the IEX BBO is wider than the NBBO (which may be a single increment). In such instances, the NBBO may coincide with the IEX midpoint or the hidden order at IEX may be subject to a special midpoint price constraint⁵ and later transact with contra-side orders at midpoint.

C.4 Crumbling Quote

The volume statistics for midpoint pegs in Table 1 show that proprietary firms are three times more likely to act as liquidity removers at midpoint (7.16% of volume) than as liquidity adders (2.12% of volume). This is indicative of opportunistic stale-quote arbitrage in advance of movements in the NBBO. Despite the fact that the IEX delay is intended to combat such exploitative activities, the company has reported an increase in anticipatory trading: midpoint quotes being removed at unfavorable prices immediately prior to changes in the NBBO (Bishop, 2017). This trading is almost certainly a result of improved probabilistic modeling of NBBO liquidity shifts by fast traders.

In an effort to further protect pegged orders from adverse selection, IEX has developed the “crumbling quote signal”: a model that forecasts changes in the NBBO (the crumbling quote) and temporarily prevents primary and discretionary peg orders from exercising discretion at

⁵When the IEX BBO is wider than the NBBO and a nonroutable hidden order enters the order book with a limit that would otherwise be passed on to another exchange displaying NBBO, the order is booked at the NBBO midpoint and may be promoted to transact at the NBBO at a later time. For example, suppose the NBBO is $\$10.00 \times \10.01 and the IEX order book is $\$10.00 \times \10.02 when a nonroutable hidden buy order arrives with a limit of $\$10.01$. The order will be booked at $\$10.005$ and will later transact at $\$10.01$ if a sell limit arrives at that price. Alternatively, it may transact with midpoint pegs, discretionary pegs, or market orders at midpoint.

their potentially more aggressive prices in order to minimize their exposure to anticipatory traders. That is, when the crumbling quote signal is on, discretionary pegs do not transact at midpoint and primary pegs do not transact at BBO. Midpoint pegs do not receive protection from the crumbling quote signal.

While we view the crumbling quote signal as an important innovation to the IEX market design, we have excluded it from our model in order to focus attention on the primary role of the speed bump and its interaction with pegged order types. We consider study of the crumbling quote signal, however, to be a valuable direction for future work.

References

- Baldauf, M. and Mollner, J. (2016), “Fast Traders Make a Quick Buck: The Role of Speed in Liquidity Provision,” *Working Paper*, 1–56.
- Bershova, N. and Rakhlin, D. (2012), “High-Frequency Trading and Long-Term Investors: A View from the Buy Side,” *Working Paper*.
- Bishop, A. (2017), “The Evolution of the Crumbling Quote Signal,” *IEX White Paper*, 1–30.
- Breckenfelder, J. (2013), “Competition Between High-Frequency Traders, and Market Quality,” *Working Paper*.
- Brogaard, J. and Garriott, C. (2017), “High-Frequency Trading Competition,” *Working Paper*.
- Brogaard, J., Hendershott, T., Hunt, S., and Ysusi, C. (2014), “High-frequency trading and the execution costs of institutional investors,” *Financial Review*, 49, 345–369.
- Brogaard, J., Hendershott, T., and Riordan, R. (2017), “Price Discovery without Trading: Evidence from Limit Orders,” *Working Paper*, 1–51.
- Budish, E., Cramton, P., and Shim, J. (2015), “The High-Frequency Trading Arms Race: Frequent Batch Auctions as a Market Design Response,” *The Quarterly Journal of Economics*, 130, 1547–1621.
- Chen, H., Foley, S., and Ruf, T. (2017), “The Value of a Millisecond: Harnessing Information in Fast, Fragmented Markets,” *Working Paper*.
- Du, S. and Zhu, H. (2017), “What is the Optimal Trading Frequency in Financial Markets?” *Review of Economic Studies*.
- Fox, M. B., Glosten, L. R., and Rauterberg, G. V. (2015), “The New Stock Market: Sense and Nonsense,” *Duke Law Journal*, 65, 191–277.
- Hagströmer, B., Nordén, L., and Zhang, D. (2014), “How Aggressive Are High-Frequency Traders?” *Financial Review*, 49, 395–419.
- Hasbrouck, J. and Saar, G. (2013), “Low-latency trading,” *Journal of Financial Markets*, 16, 646–679.
- Hirschey, N. (2017), “Do high-frequency traders anticipate buying and selling pressure?” *Working Paper*.
- Jovanovic, B. and Menkveld, A. J. (2015), “Middlemen in Limit Order Markets,” *Working Paper*.
- Kyle, A. S. and Lee, J. (2017), “Toward a Fully Continuous Exchange,” *Working Paper*.
- Lewis, M. (2015), *Flash Boys: A Wall Street Revolt*, New York: W. W. Norton & Company.

- Malinova, K., Park, A., and Riordan, R. (2014), “Do retail traders suffer from high frequency traders?” *Working Paper*.
- Menkveld, A. J. and Zoican, M. A. (2017), “Need for speed? Exchange latency and liquidity,” *Review of Financial Studies*, 30, 1188–1228.
- O’Hara, M. (2015), “High frequency market microstructure,” *Journal of Financial Economics*, 116, 257–270.
- Pisani, B. (2016), “SEC gives its blessing to the IEX’s ‘speed bump’ trading,” <http://www.cnbc.com/2016/06/17/sec-gives-its-blessing-to-the-iexs-speed-bump-trading.html>.
- SEC (2014), “Equity Market Structure Literature Review Part II: High Frequency Trading,” *Staff Report*.
- Wah, E., Hurd, D. R., and Wellman, M. P. (2015), “Strategic Market Choice: Frequent Call Markets vs. Continuous Double Auctions for Fast and Slow Traders,” *Working paper*.
- Zhang, S. and Riordan, R. (2011), “Technology and Market Quality: The Case of High Frequency Trading,” *ECIS 2011 Proceedings*.

Discussion Papers of the Research Area Markets and Choice 2017

Research Unit: **Market Behavior**

Dorothea Kübler, Julia Schmid, Robert Stüber SP II 2017-201
Be a man or become a nurse: Comparing gender discrimination by employers across a wide variety of professions

Dietmar Fehr, Julia Schmid SPII 2017-202
Exclusion in the all-pay auction: An experimental investigation

Thomas Buser, Eva Ranehill, Roel van Veldhuizen SPII 2017-203
Gender differences in willingness to compete: The role of public observability

Research Unit: **Economics of Change**

Jannis Engel, Nora Szech SP II 2017-301
A little good is good enough: Ethical consumption, cheap excuses, and moral self-licensing

Maja Adena, Jeyhun Alizade, Frauke Bohner, Julian Harke, Fabio Mesners SP II 2017-302
Quality certifications for nonprofits, charitable giving, and donor's trust: experimental evidence

Terri Kneeland SP II 2017-303
Mechanism design with level-k types: Theory and an application to bilateral trade

Dominik Duell, Justin Mattias Valasek SP II 2017-304
Social identity and political polarization: Evidence on the impact of identity on partisan voting trade

Maja Adena, Steffen Huck SP II 2017-305
Narrow framing in charitable giving: Results from a two-period field experiment

Kai Barron, Luis F. Gamboa, Paul Rodriguez-Lesmes SP II 2017-306
Behavioural response to a sudden health risk: Dengue and educational outcomes in Colombia

Konstanze Albrecht, Florentin Krämer, Nora Szech SP II 2017-307
Animal welfare and human ethics: A personality study

Yves Breitmoser, Justin Valasek SP II 2017-308
A rationale for unanimity in committees

Maja Adena, Steffen Huck, Imran Rasul SP II 2017-309
Testing consumer theory: Evidence from a natural field experiment

All discussion papers are downloadable:

<http://www.wzb.eu/en/publications/discussion-papers/markets-and-choice>

Deniz Dizdar, Benny Moldovanu, Nora Szech SP II 2017-310
The multiplier effect in two-sided markets with bilateral investments

Research Professorship: **Market Design: Theory and Pragmatics**

Sean Crockett, Daniel Friedman, Ryan Oprea SP II 2017-501
Aggregation and convergence in experimental general equilibrium economies constructed from naturally occurring preferences

Eric M. Aldrich, Daniel Friedman SP II 2017-502
Order protection through delayed messaging